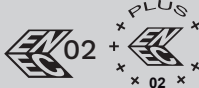


Schréder

TFLEX BASE

ENG	INSTALLATION INSTRUCTIONS	ITA	ISTRUZIONI DI INSTALLAZIONE	NLD	INSTALLATIE INSTRUCTIES	DAN	INSTALLATIONSVEJLEDNING	HUN	TELEPÍTÉSI ÚTMUTATÓ
DEU	INSTALLATIONSANLEITUNG	POL	INSTRUKCJE MONTAŻU	RUS	Инструкции по установке	RON	INSTRUCȚIUNI DE INSTALARE	CHI	安装说明
FRA	INSTRUCTIONS DE MONTAGE	SPA	INSTRUCCIONES DE INSTALACIÓN	POR	INSTRUÇÕES DE INSTALAÇÃO	SWE	INSTALLATIONSANVISNING	UKR	Інструкції з монтажу
SRP	UPUTSTVA ZA INSTALACIJU	AR	تعليمات التركيب						



UL 1598
CSA C22.2
No. 250.0



IEC
EN60598

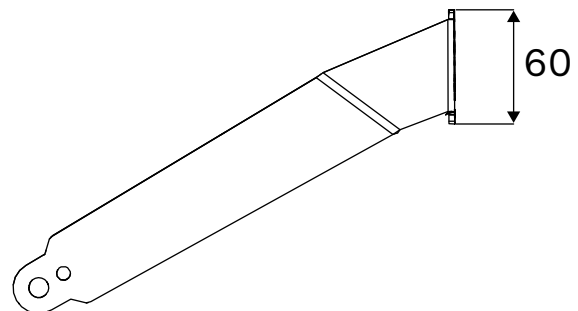
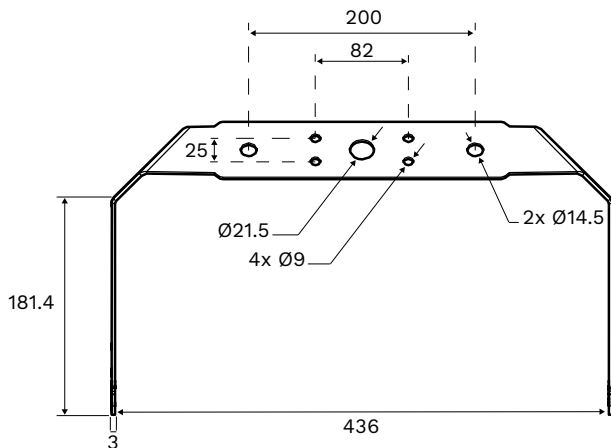
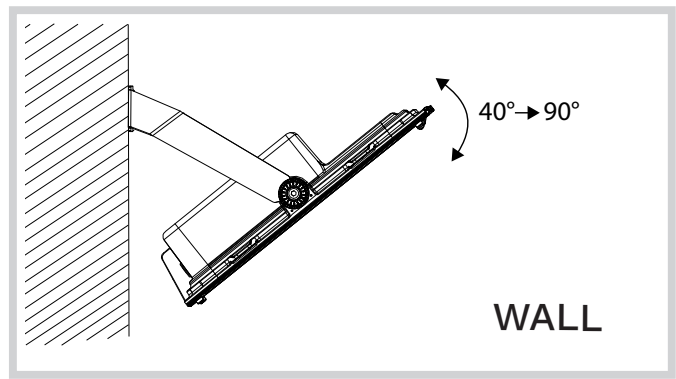
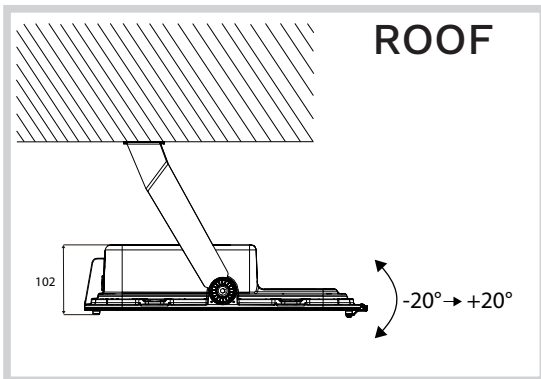
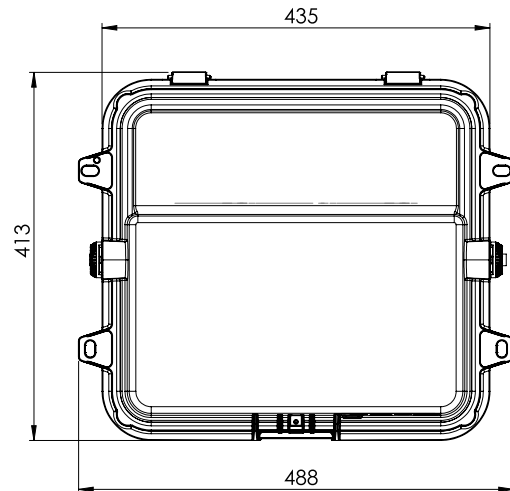
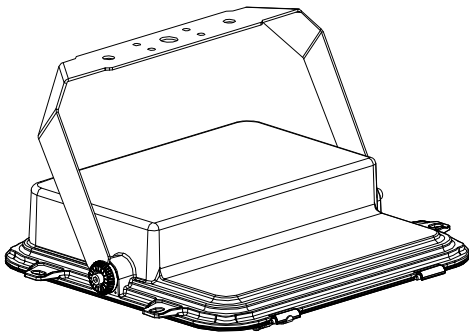


220-240V
347V
480V

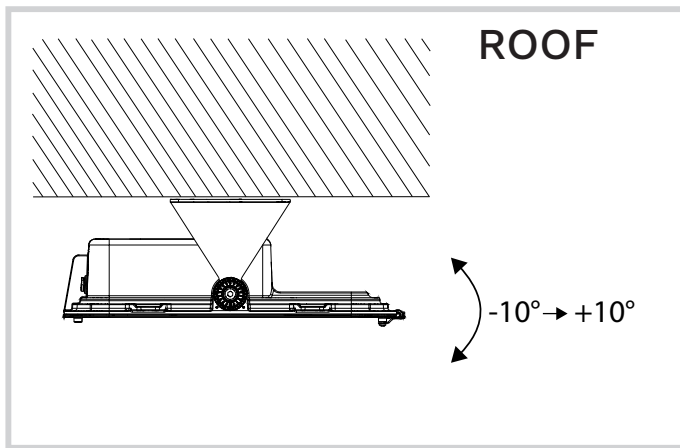
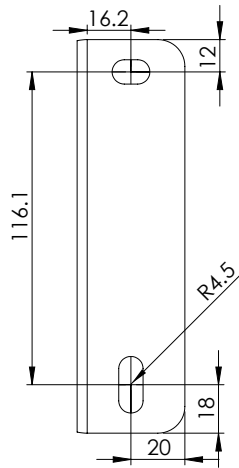
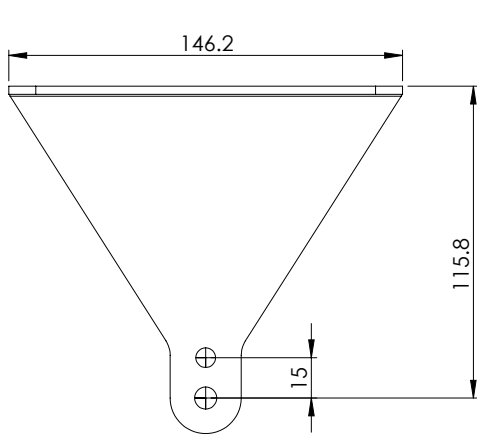
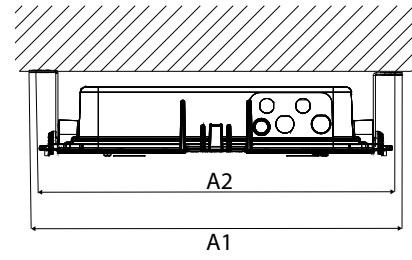
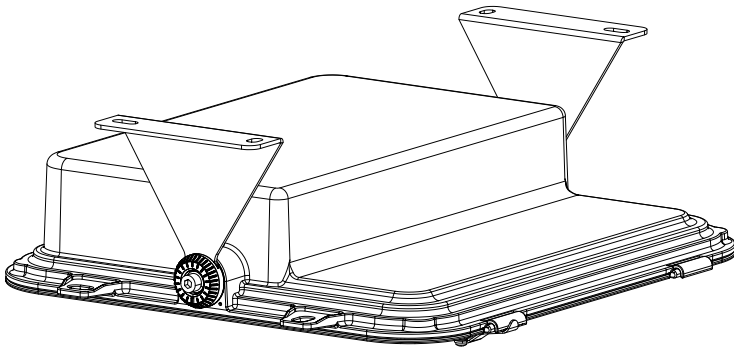
IP
66
69

IK
10

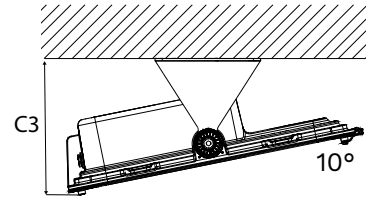
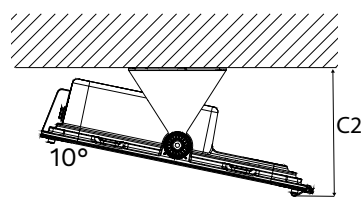
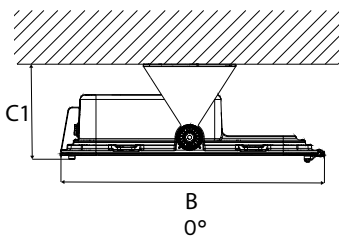
A STANDARD



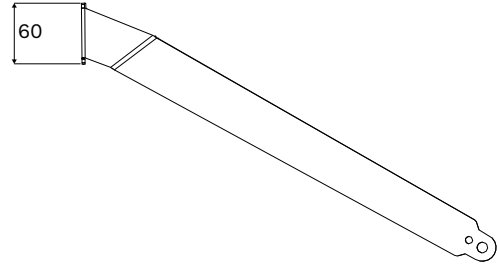
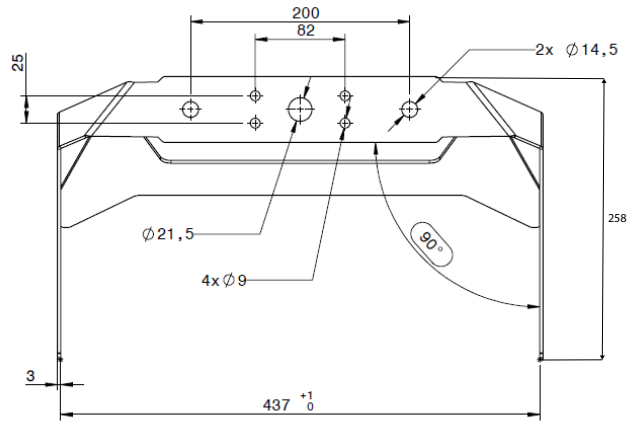
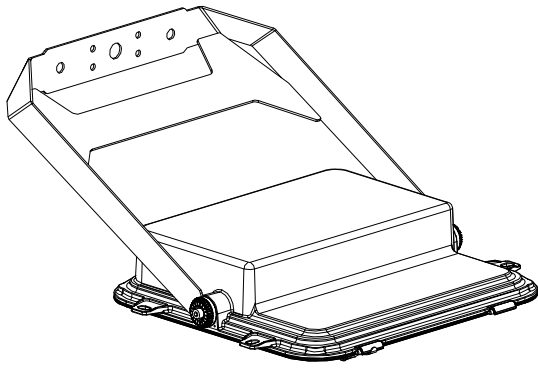
ANSI 3G SWIVELING FIXATION



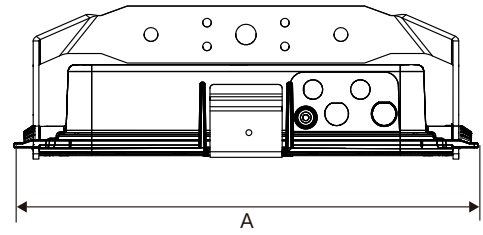
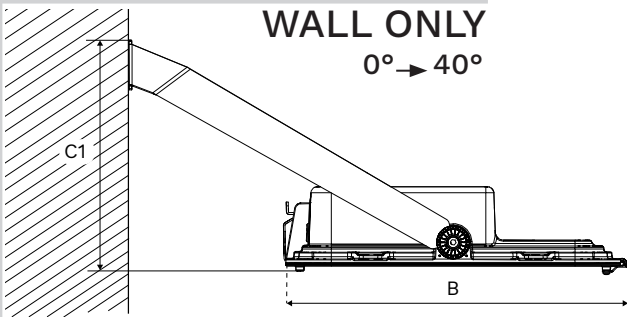
A1	516 mm 20.31 in
A2	492 mm 19.37 in
B	415,2 mm 16.3 in
C1	150,5 mm 5.92 in
C2	185 mm 7.28 in
C3	182 mm 7.16 in
kg/lb	10,7 kg 23.59 lb



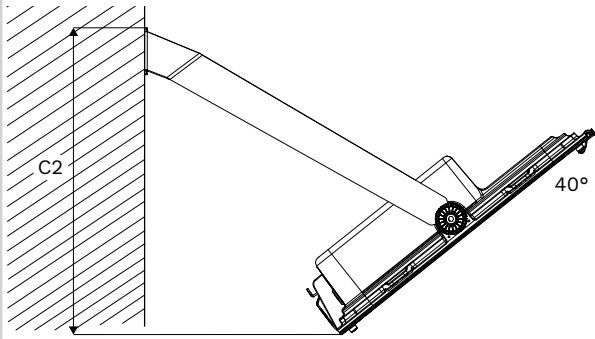
B LONG



WALL ONLY 0° → 40°

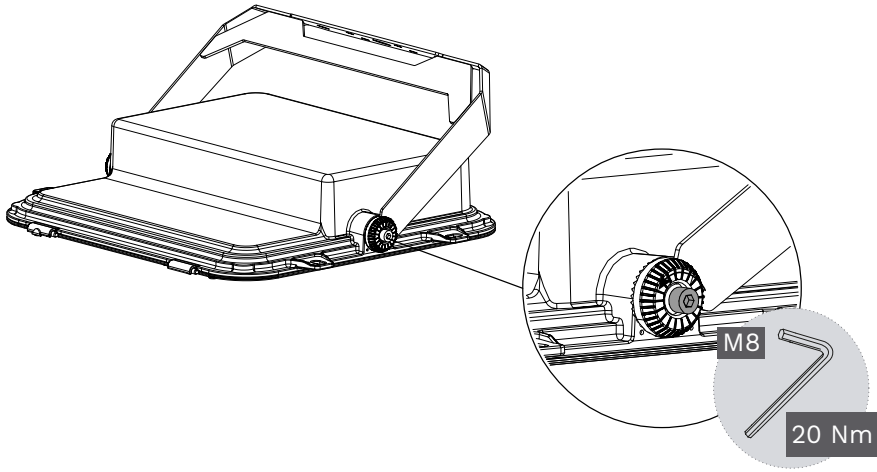


0°

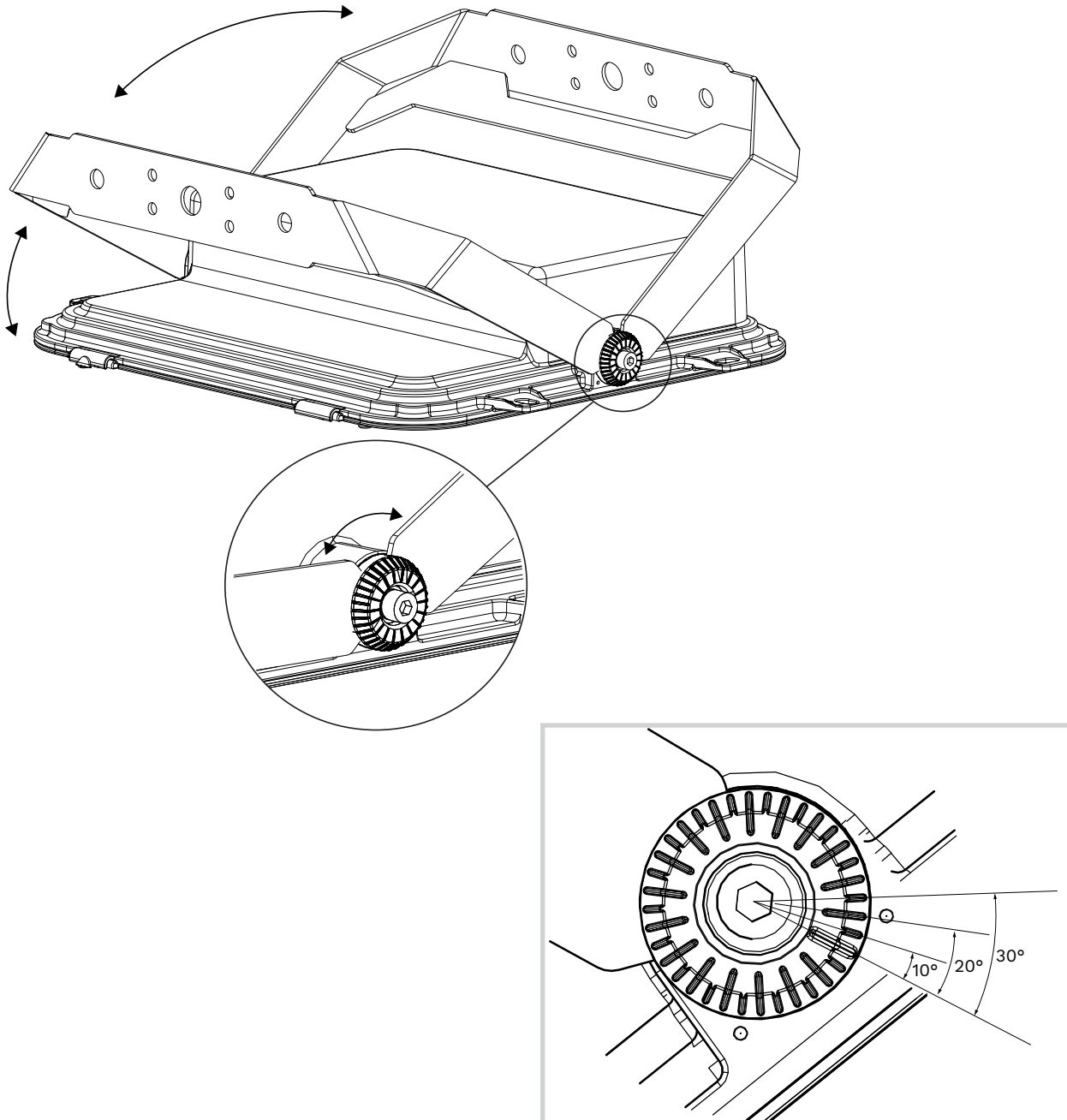


A	488.2 mm 19.2 in
B	415.2 mm 16.3 in
C1	280 mm 11 in
C2	341 mm 13.4 in
kg/lb	12 kg 26.4 lb

C 1

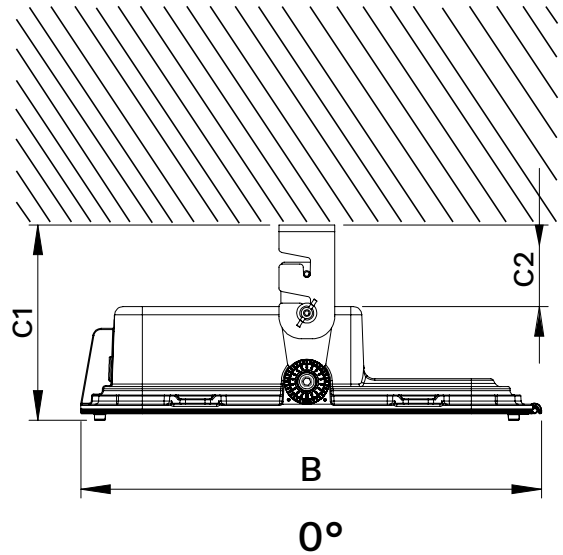
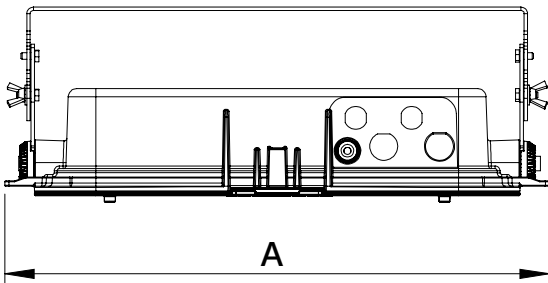
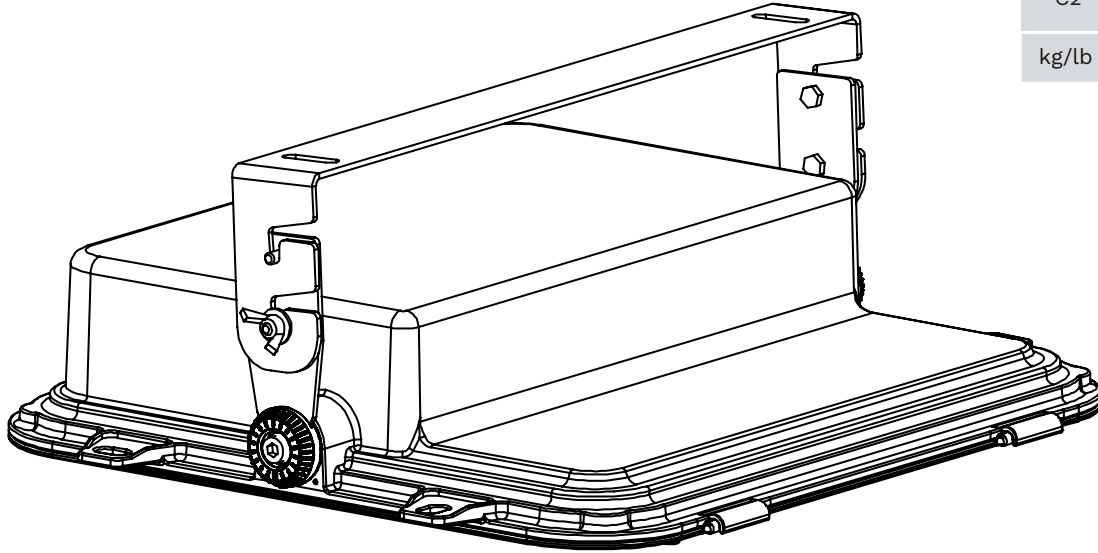


2

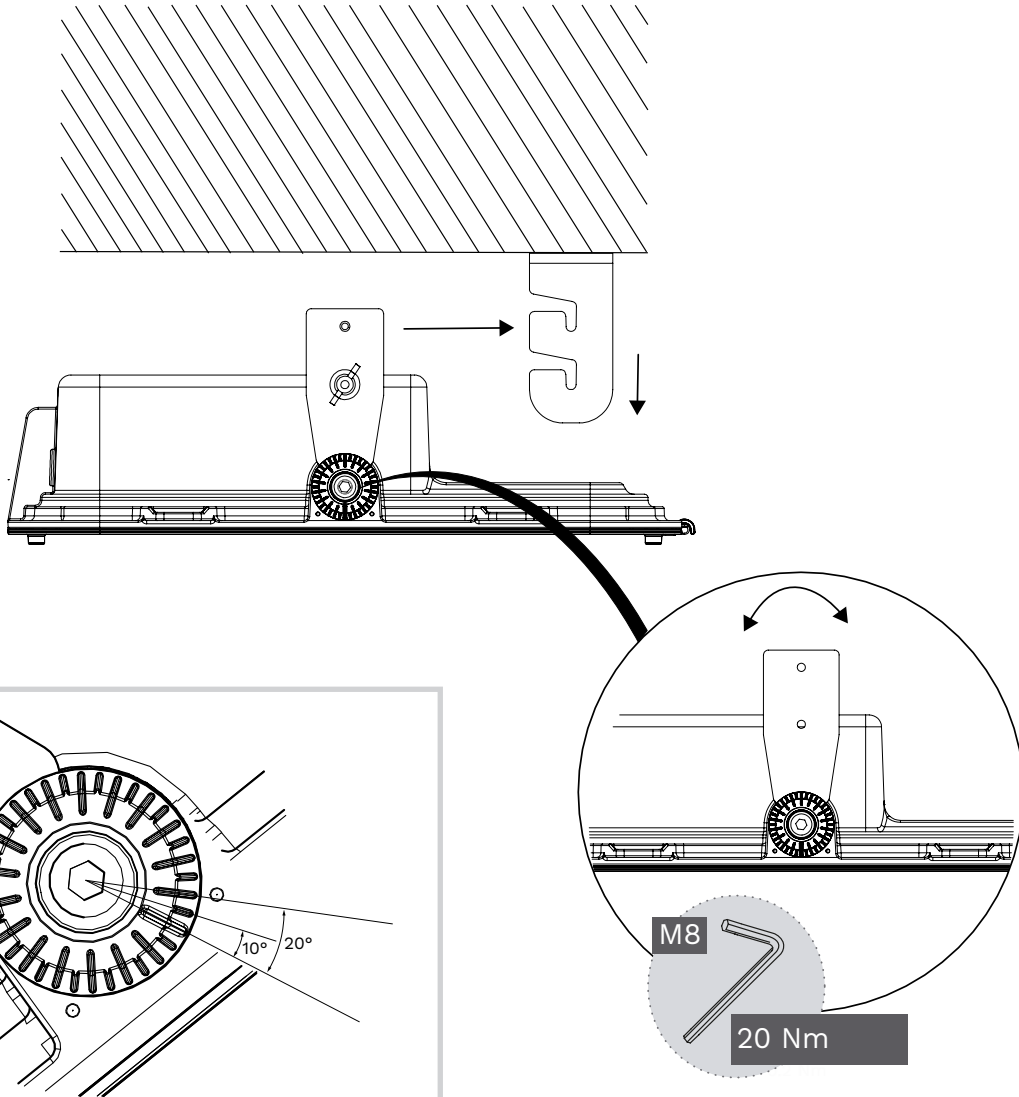


D UNPLUGGABLE TYPE

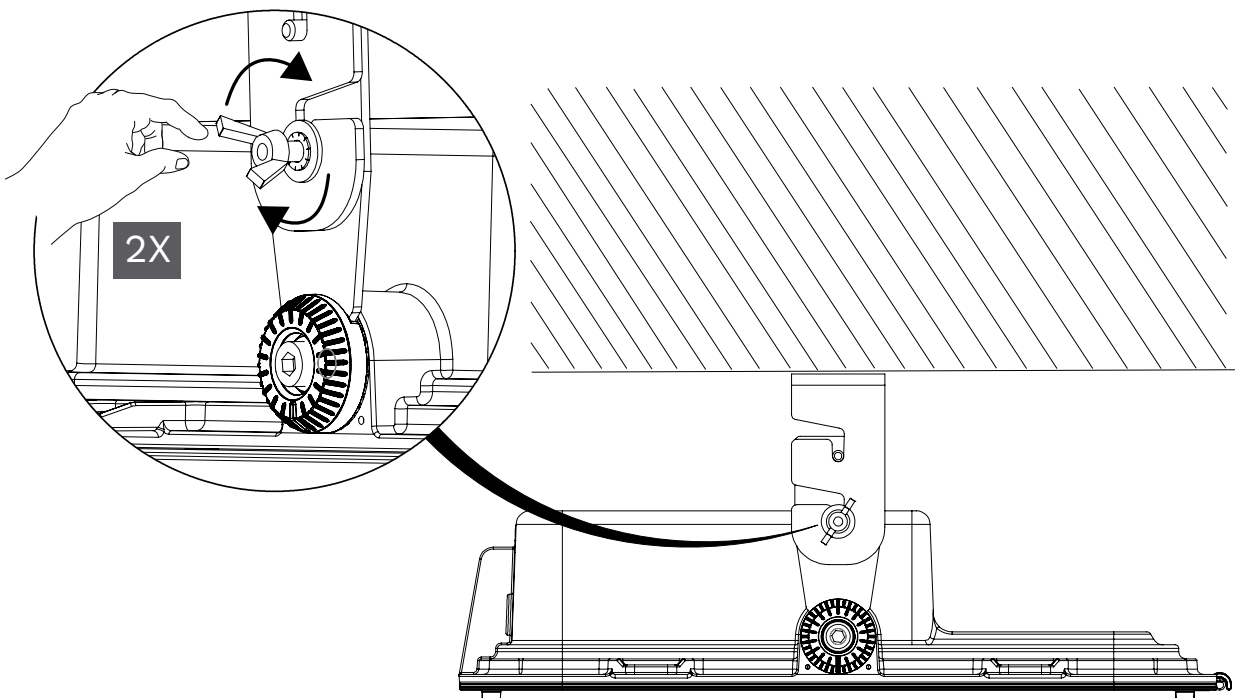
A	488.2 mm 19.2 in
B	413 mm 16.2 in
C1	175 mm 7 in
C2	73 mm 2.8 in
kg/lb	11 kg 24.25 lb



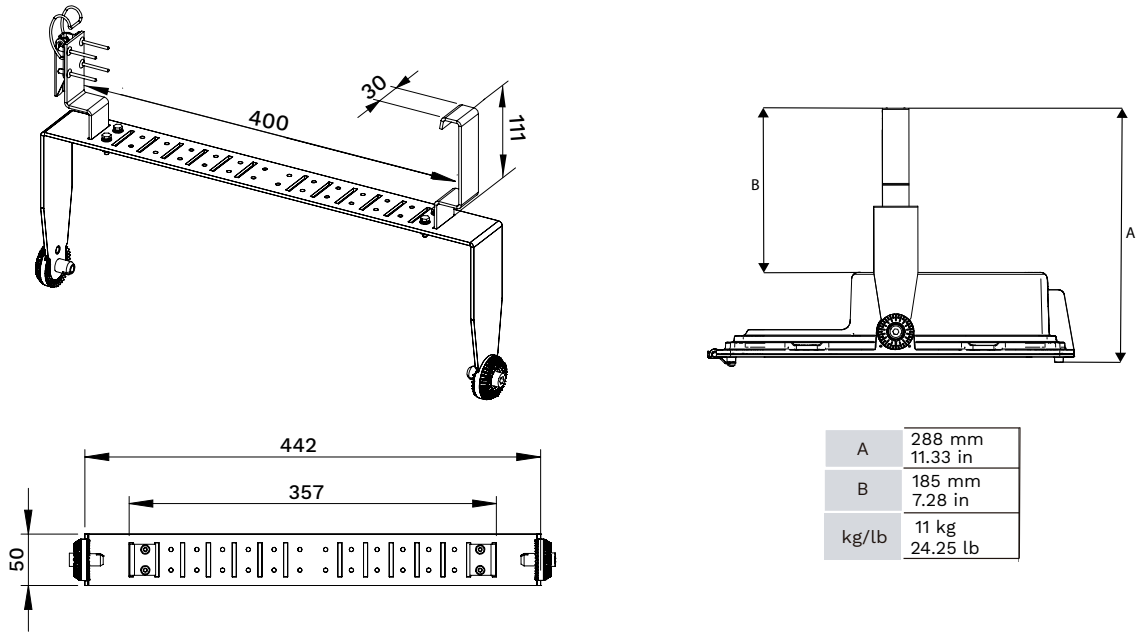
1



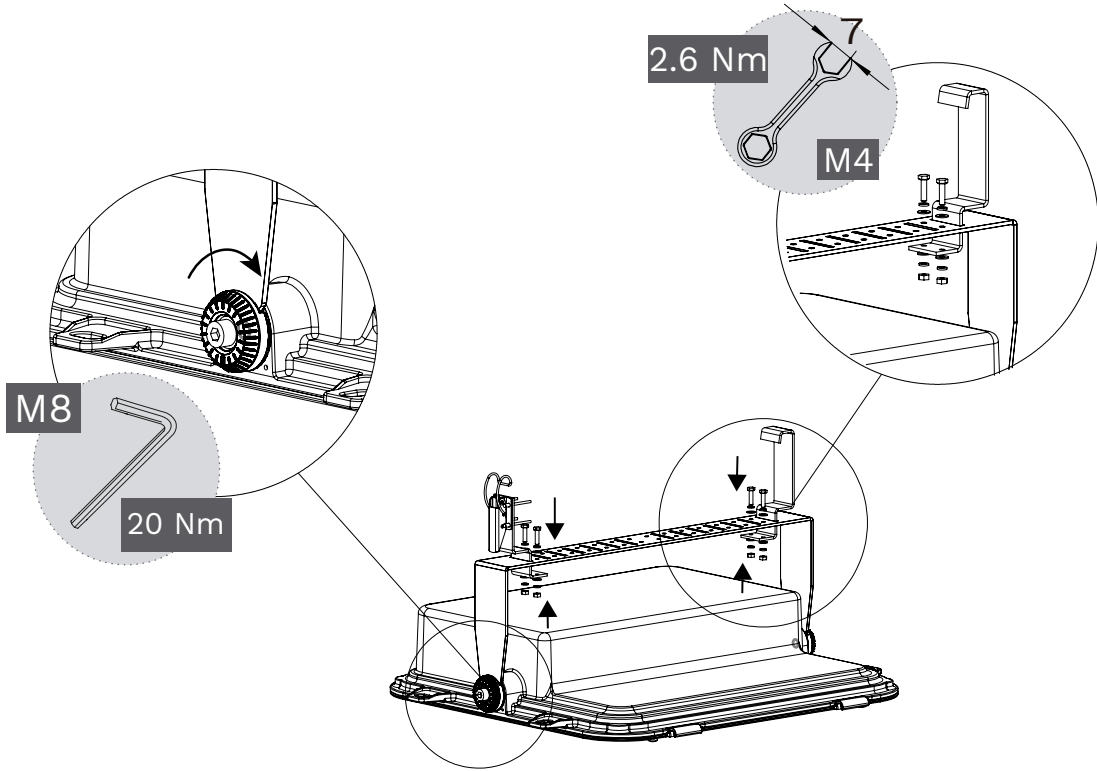
2



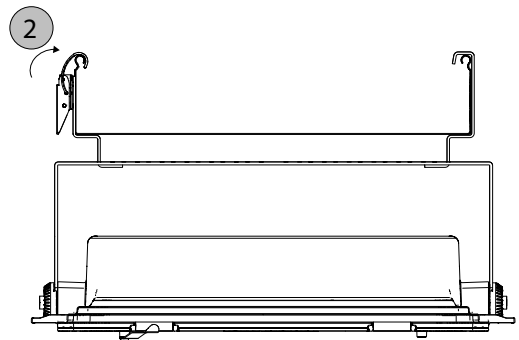
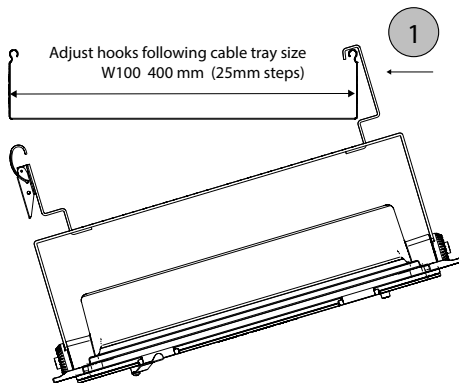
E HOOK FIXATION



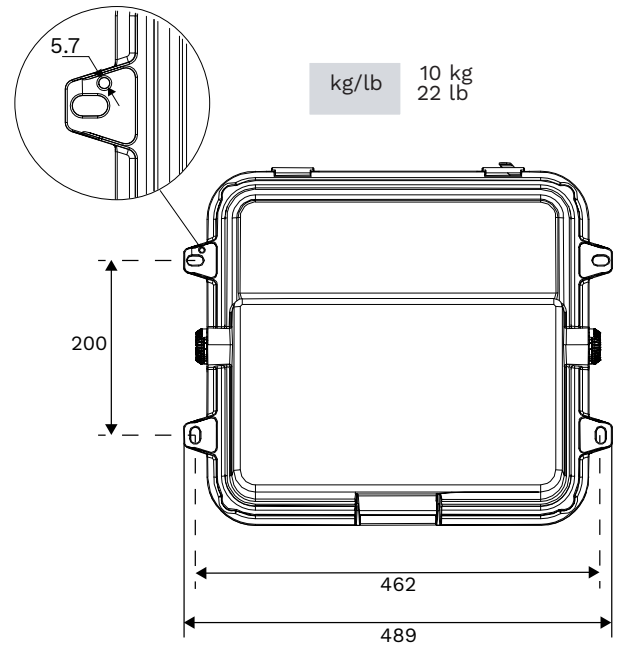
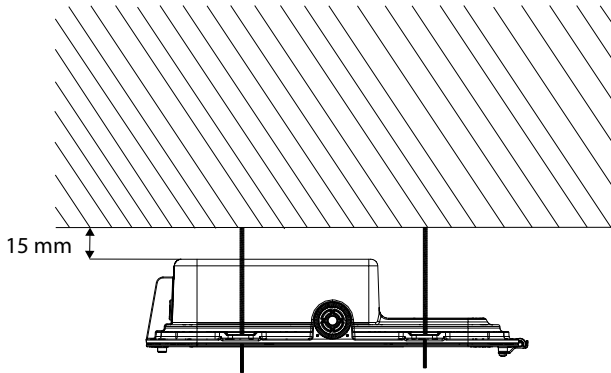
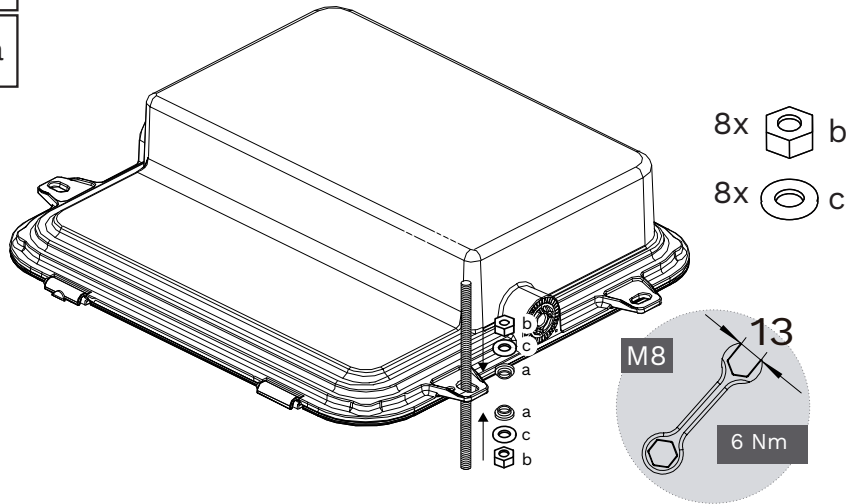
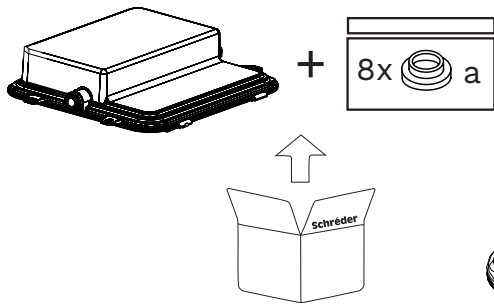
1

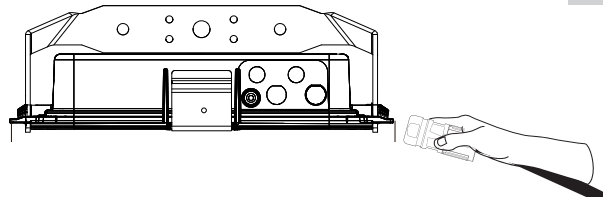


2

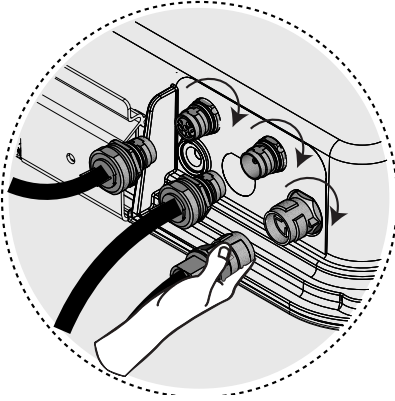
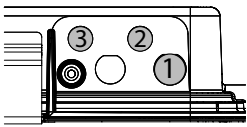


F NO BRACKET

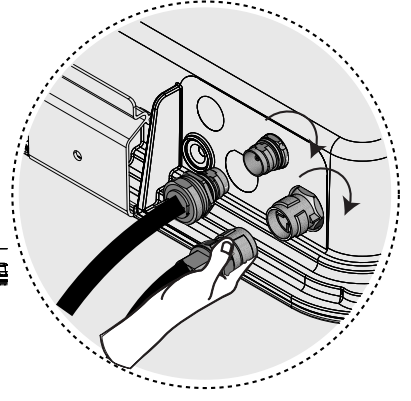
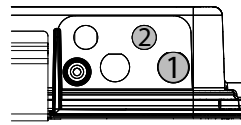


G**1 2****QPD CONNECTORS****Lumgate**

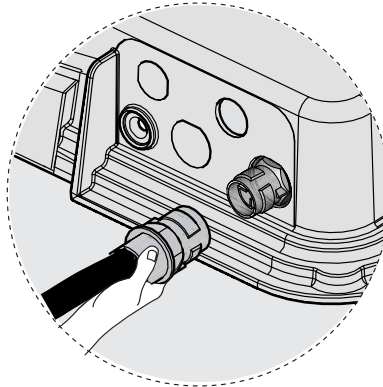
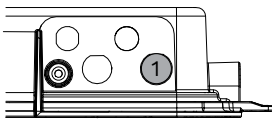
- 1 : Main QPD 4P (M25)
- 2 : M17 (Bus IN - Male)
- 3 : M17 (Bus OUT - Female)

**1-10 V/DALI**

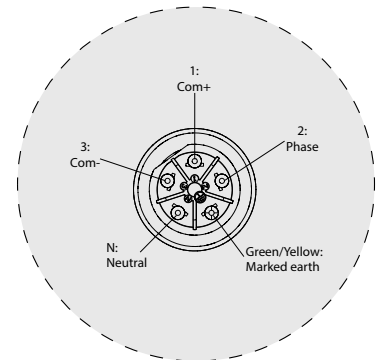
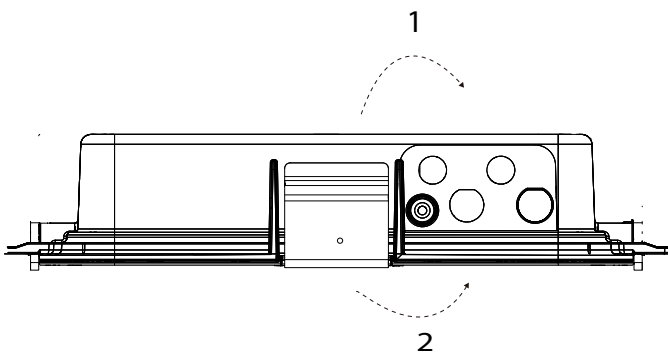
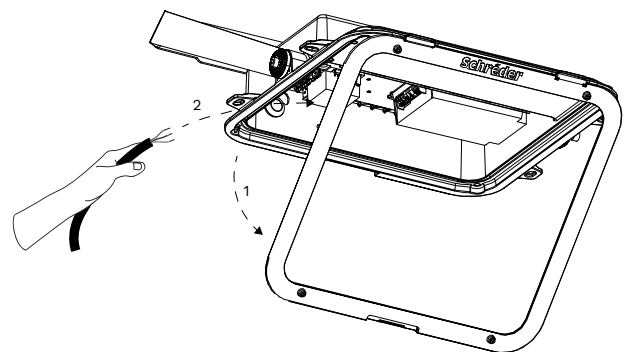
- 1 : Main QPD 4P (M25)
- 2 : QPD 2P (M20)

**1-10V/DALI
Bi-power**

- 1 : QPD 5P (M25)

**No Dim**

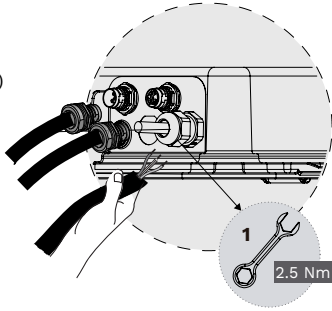
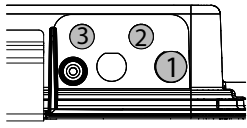
- 1 : QPD 4P (M25)

1-10V / DALI**H****CABLE GLANDS****1****2**

3 Mains and Controls separated

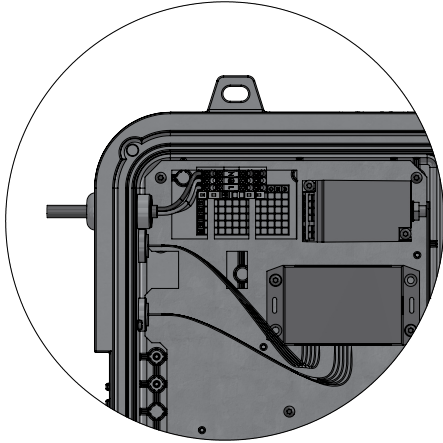
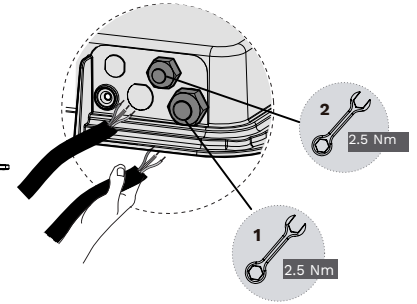
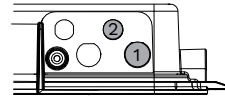
Lumgate

- 1 : M25 cable gland
- 2 : M17 (Bus IN - Male)
- 3 : M17 (Bus OUT - Female)

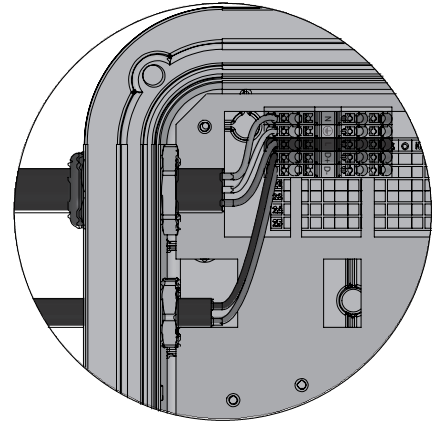


1-10V/DALI

- 1 : M25 cable gland
- 2 : M20 cable gland



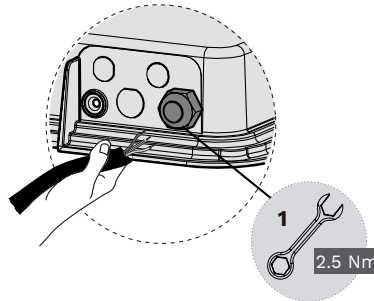
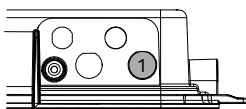
Lumgate	
1-10V / DALI	
 M25 Ø6-12mm 3x2.5mm ² 3x1.5mm ²	 M20 Ø5-12mm 2x1.5mm ² 2x2.5mm ²



3a

1-10V/DALI Bi-power No Dim

- 1 : M25 cable gland



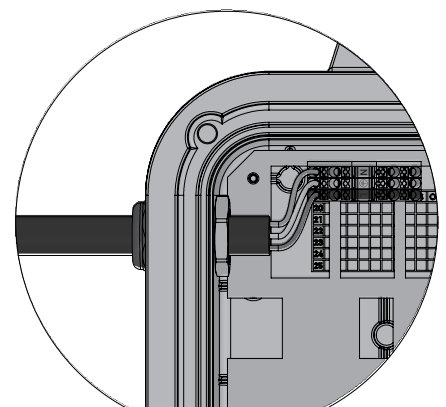
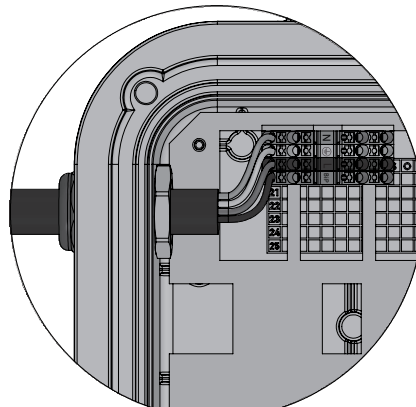
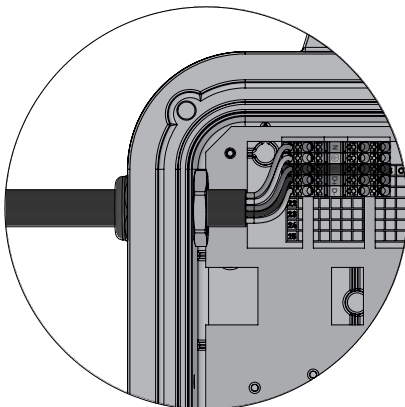
1-10V / DALI	No Dim	Bi-power
 5x2.5mm ² 5x1.5mm ² M25 Ø9-14mm	 3x2.5mm ² 3x1.5mm ² M25 Ø6-12mm	 4x2.5mm ² 4x1.5mm ² M25 Ø9-14mm
*(possible with (X) x 4mm ² as terminals are 4mm ²).		

3b Mains and Controls combined

1-10V / DALI

Bi-power

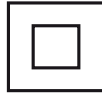
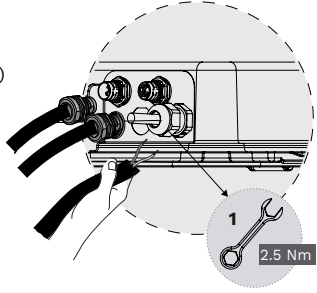
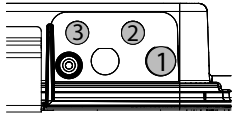
No Dim



4 Mains and Controls separated

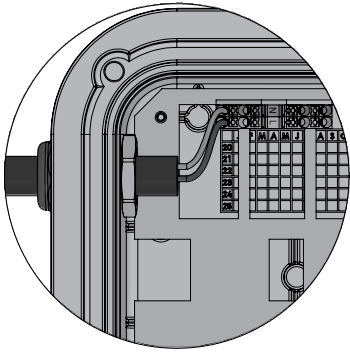
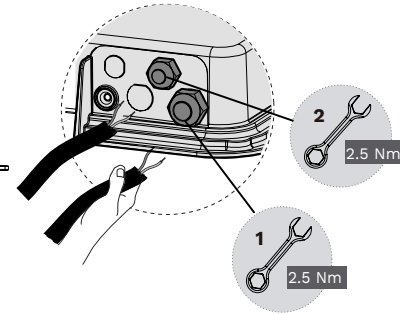
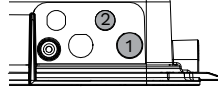
Lumgate

- 1 : M25 cable gland
- 2 : M17 (Bus IN - Male)
- 3 : M17 (Bus OUT - Female)

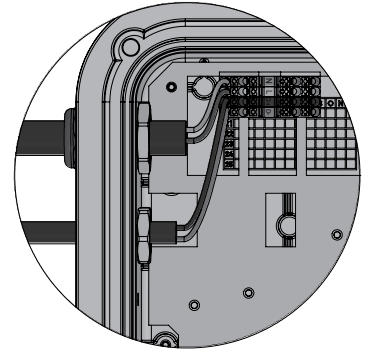


1-10V/DALI

- 1 : M25 cable gland
- 2 : M20 cable gland

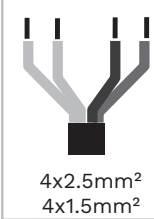


Lumgate	
1-10V / DALI	
 M25 Ø6-12mm 2x2.5mm ² 2x1.5mm ²	 M20 Ø5-12mm 2x1.5mm ² 2x2.5mm ²



4a Mains and Controls combined

1-10V / DALI



4x2.5mm²
4x1.5mm²
M25
Ø9-14mm

No Dim



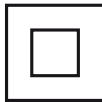
2x2.5mm²
2x1.5mm²
M25
Ø6-12mm

Bi-power



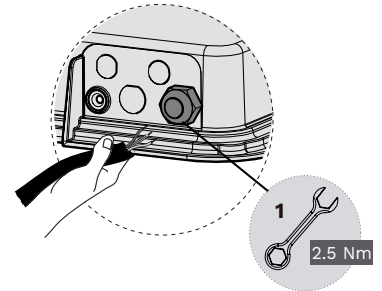
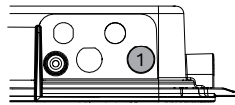
3x2.5mm²
3x1.5mm²
M25
Ø9-14mm

*(possible with (X) x 4mm² as terminals are 4mm²).



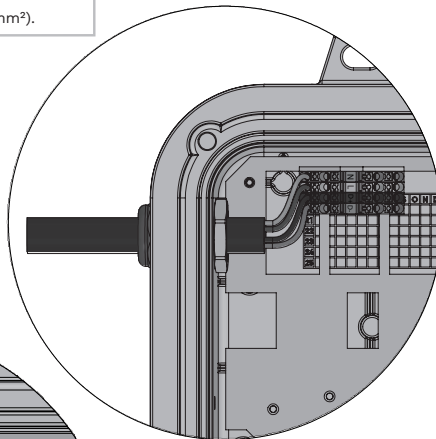
1-10V/DALI Bi-power No Dim

- 1 : M25 cable gland

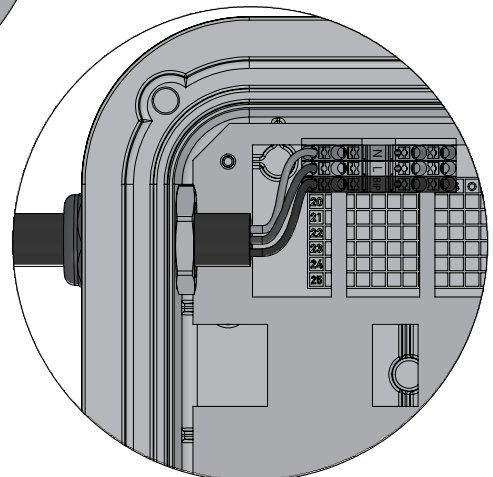
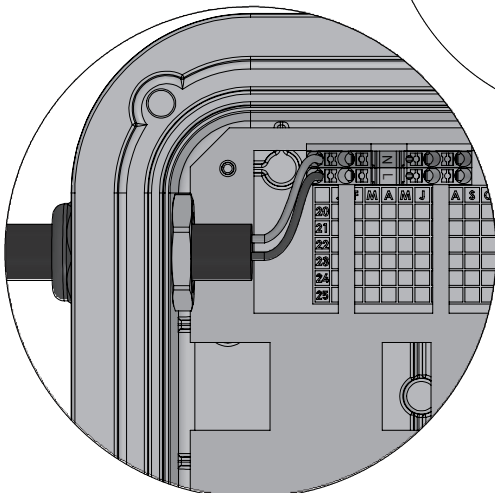


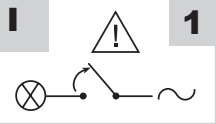
1-10V / DALI

No Dim



Bi-power

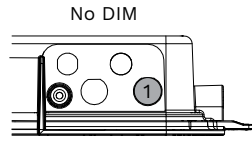




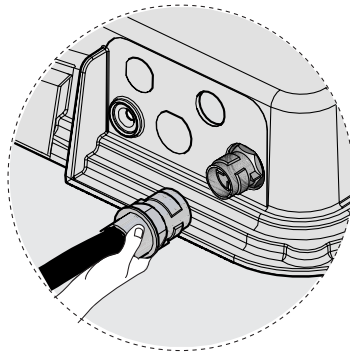
EMERGENCY LIGHTING

1

QPD CONNECTORS

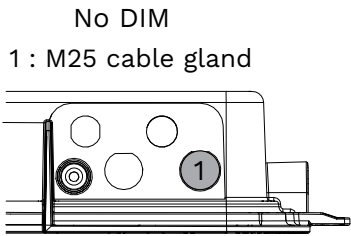


1 : Main QPD 4P (M25)

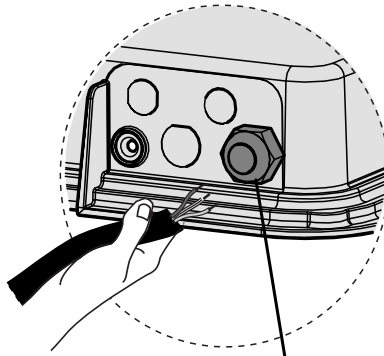


2

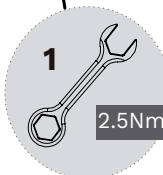
CABLE GLANDS



No DIM
1 : M25 cable gland



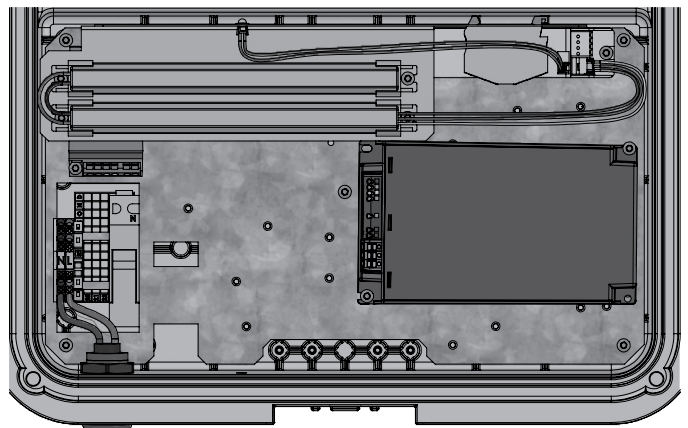
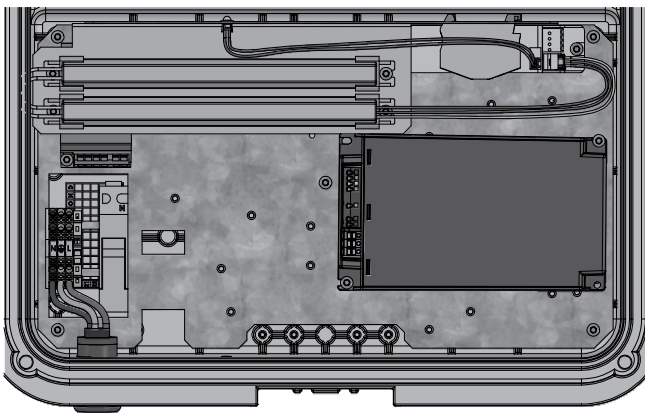
1 Mains supply and Controls

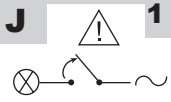


No DIM

3x2.5mm²
3x1.5mm² 2x2.5mm²
2x1.5mm²

M25
Ø6-12mm





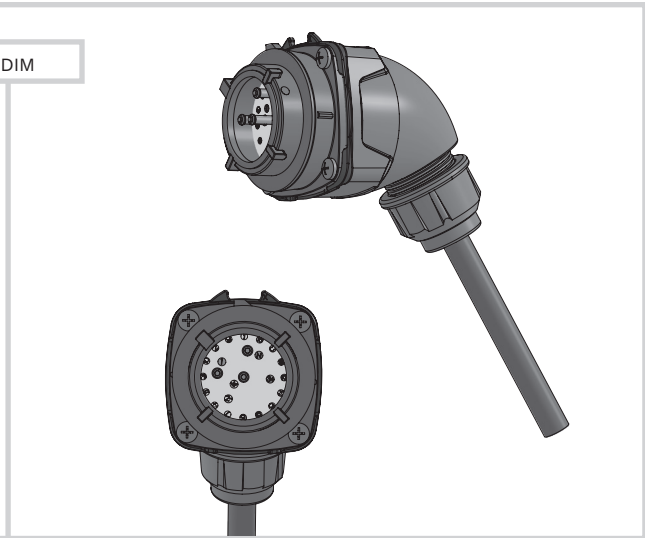
Entry Connectors Extension

Marechal 3pin straight handle

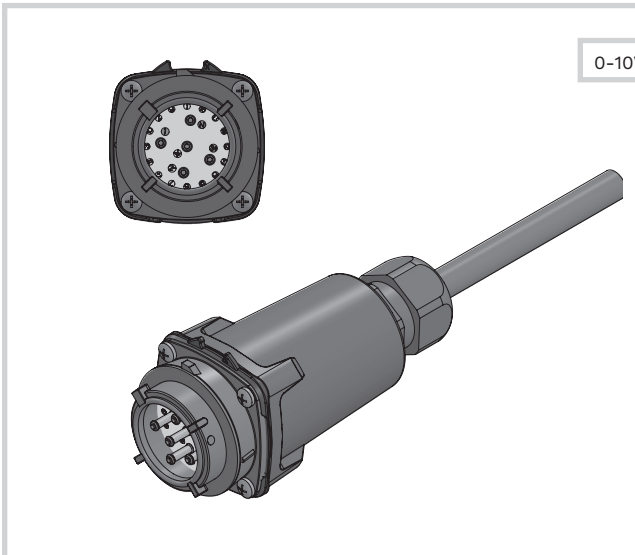


NO DIM

Marechal 3pin angled 45 handle

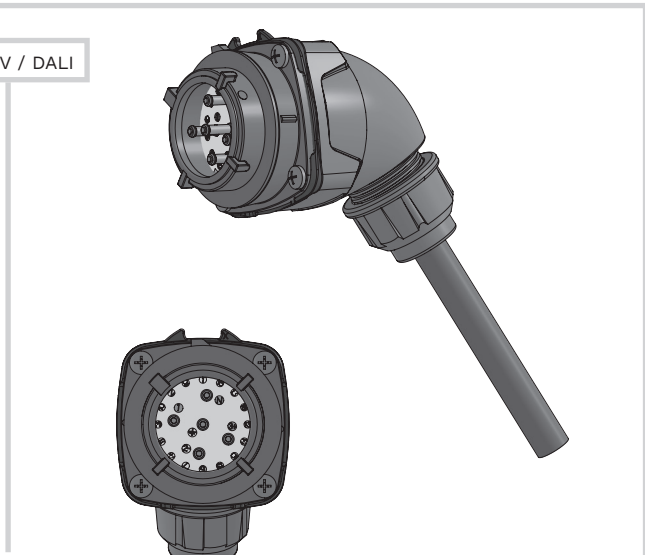


Marechal 5pin straight handle

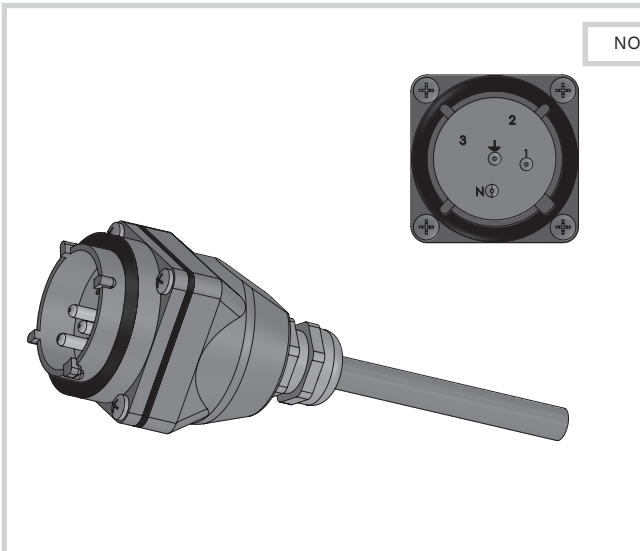


0-10V / DALI

Marechal 5pin angled 45 handle



Proconect 3pin straight handle

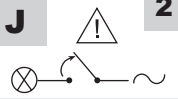


NO DIM

Proconect 3pin angled 45 handle



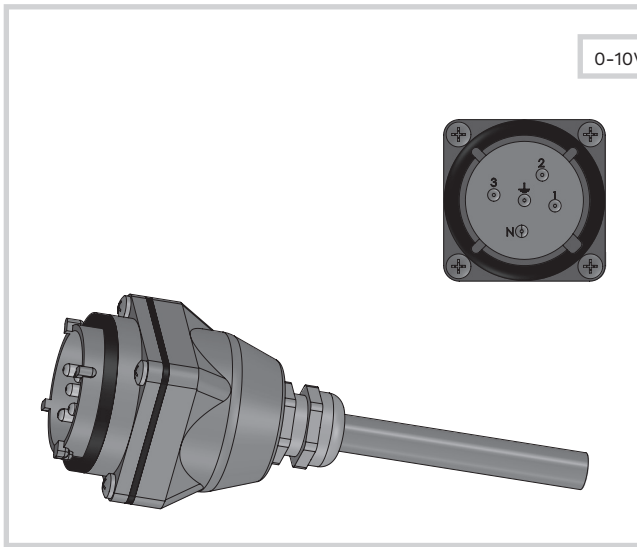
* The inlets are active only for CLI EU - 230V



2

Dimensions of the cable depends on the inlet
cable length (calculated to maintain L = 2, 3, 4, 5 m)

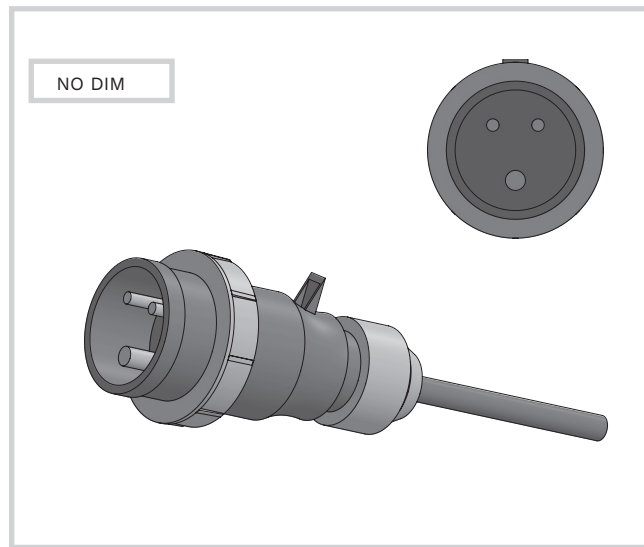
Proconnect 5pin straight handle



Proconnect 5pin angled 45 handle



3pin straight handle IEC60309 standart



5pin straight handle IEC60309 standart

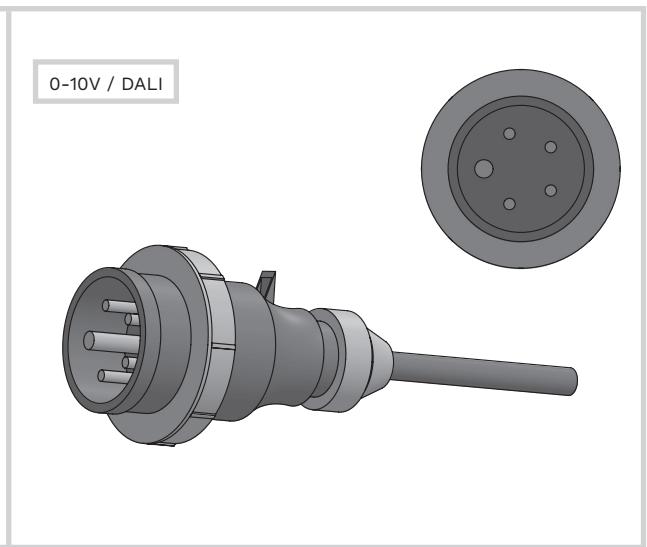
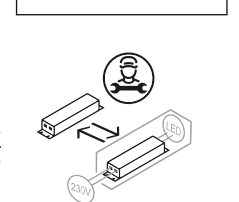
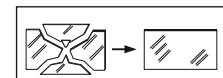


Table with multiple columns containing safety instructions and technical specifications in various languages (EN, ITA, NLD, DAN, DEU, POL, RUS, RON, FRA, SPA, POR, SWE, HUN, CHI, UKR, SRP, AR).



AR

تعليمات السلامة: في حالة الحاجة لتغير مصدر الضوء، يتم ذلك من خلال الشركة المصنعة أو الوكيل المخول لعمل ذلك أو شخص موهل لذلك.

