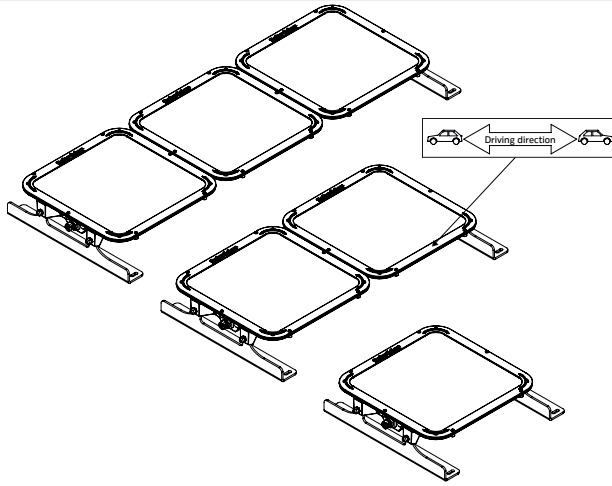


# Schröder

## TFLEX MODULE

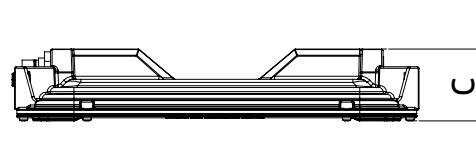
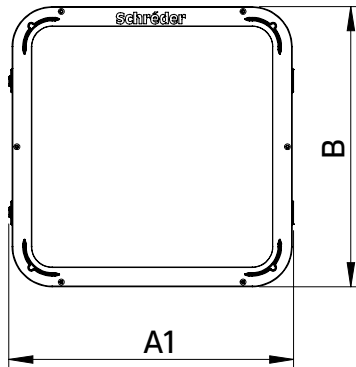
### 1-2-3



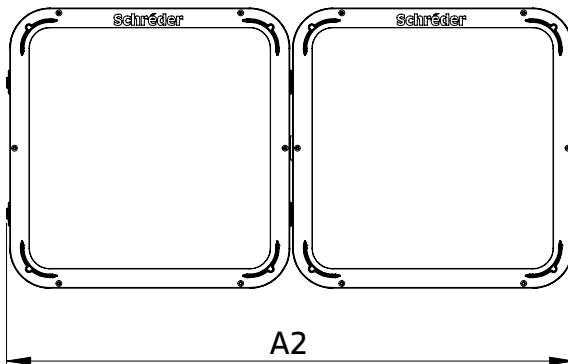
ENG	INSTALLATION INSTRUCTIONS	ITA	ISTRUZIONI DI INSTALLAZIONE	NLD	INSTALLATIE INSTRUCTIES	DAN	INSTALLATIONSVEJLEDNING	HUN	TELEPÍTÉSI ÚTMUTATÓ
DEU	INSTALLATIONSANLEITUNG	POL	INSTRUKCJE MONTAŻU	RUS	Инструкции по установке	RON	INSTRUCȚIUNI DE INSTALARE	CHI	安装说明
FRA	INSTRUCTIONS DE MONTAGE	SPA	INSTRUCCIONES DE INSTALACIÓN	POR	INSTRUÇÕES DE INSTALAÇÃO	SWE	INSTALLATIONSANVISNING	UKR	Інструкції з монтажу
SRP	UPUTSTVA ZA INSTALACIJU	AR	تعليمات التركيب						

						IP	IP	IK
						66	69	10

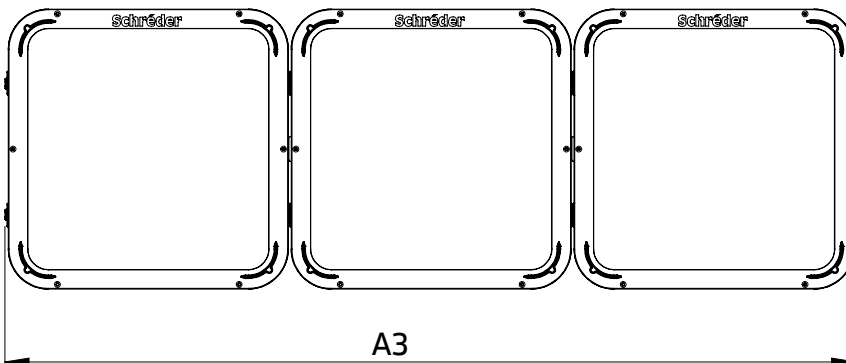
#### A

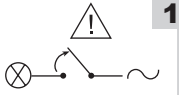


A1	391 mm 15.3 in
A2	780 mm 31 in
A3	1170 mm 46 in
B	385 mm 15 in
C	70 mm 3 in



kg/lb	10B	8 kg 17.6 lb
	20B	15 kg 33.06 lb
	30B	23 kg 50.70 lb

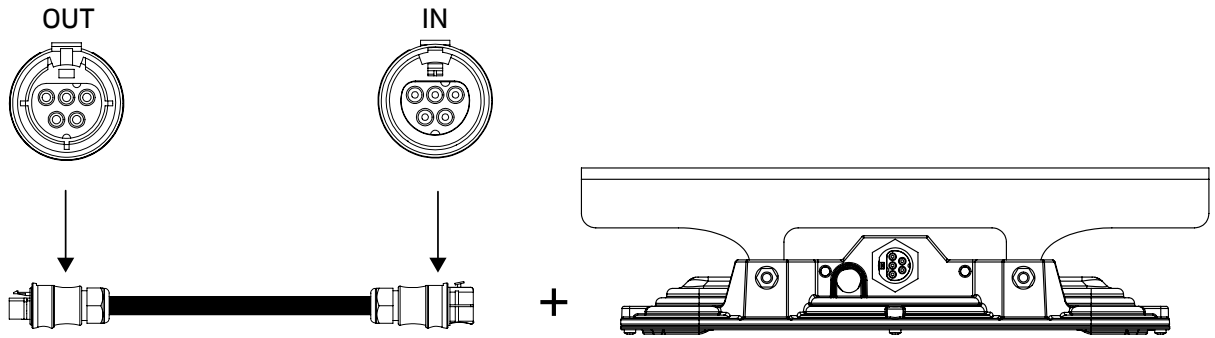




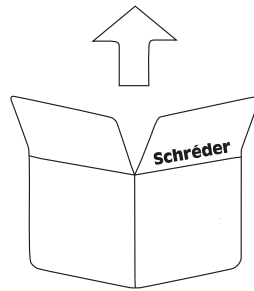
1

# REMOTE MOUNTING

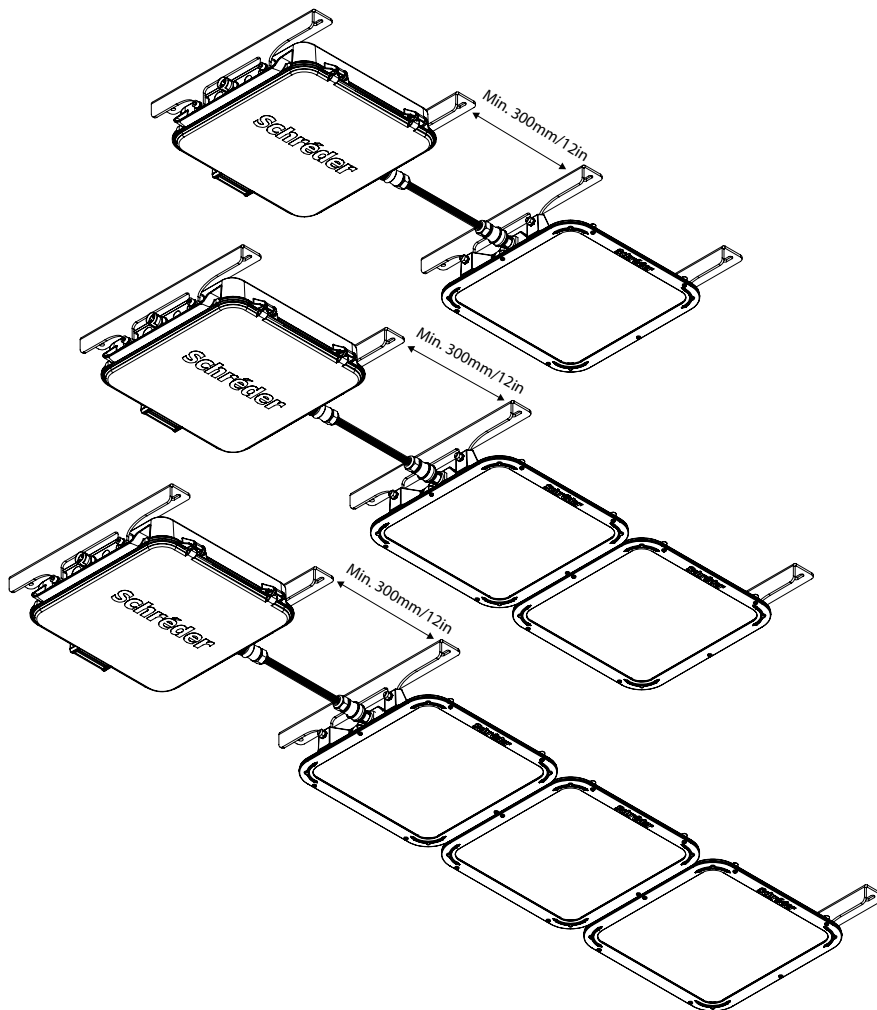
B

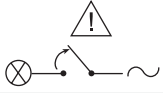


5P CONNECTOR	
CONNECTOR PIN#	
1	Circuit 1
2	
3	Circuit 2
4	
5	Earth



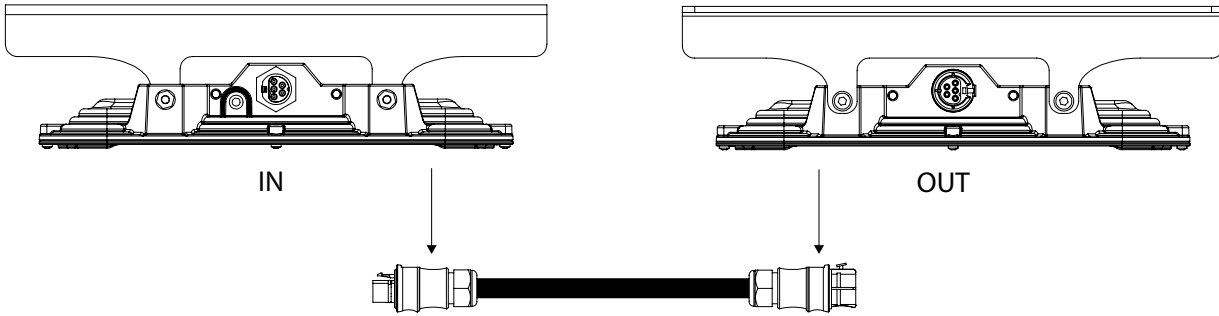
1



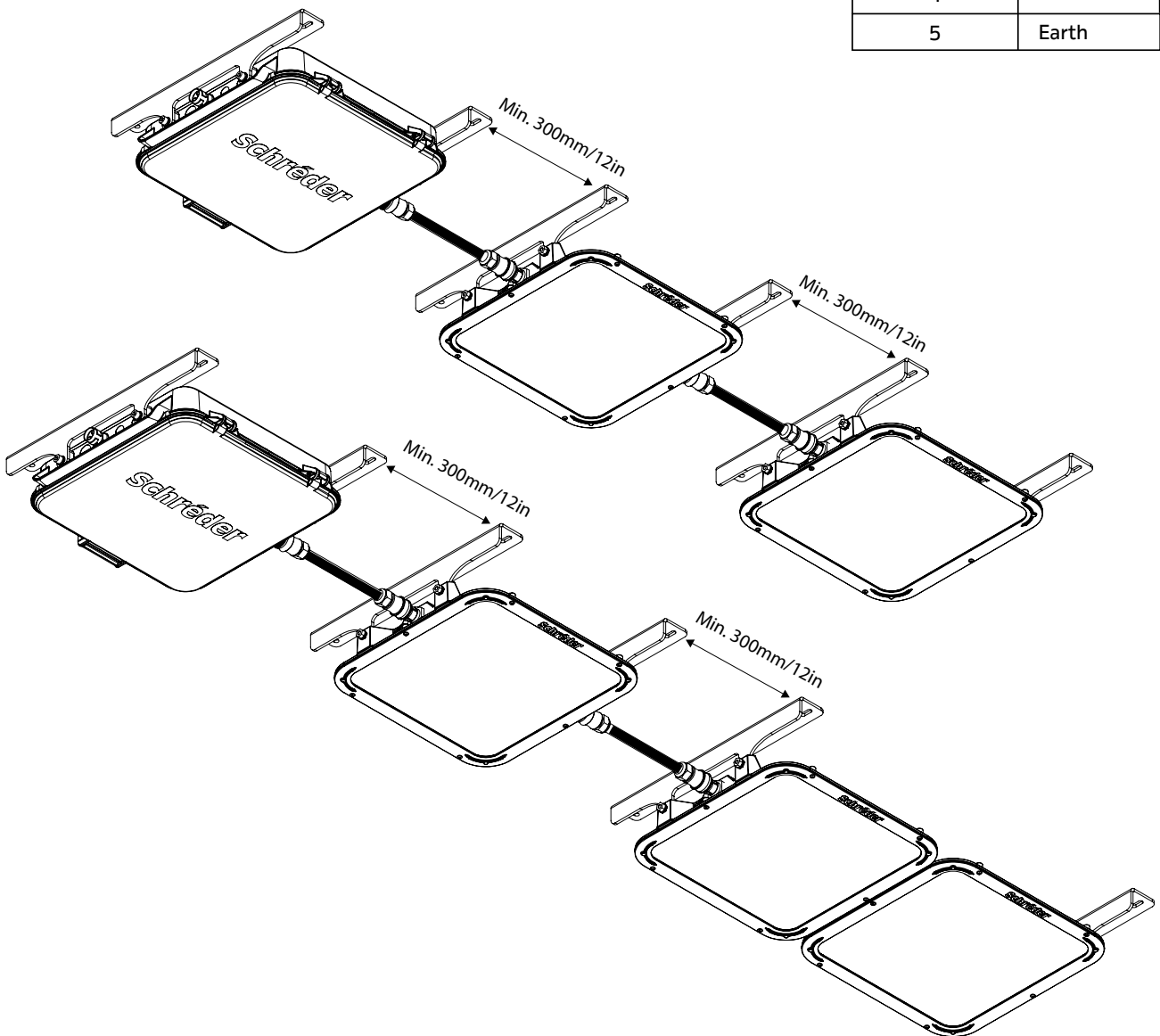


## SEMI - REMOTE MOUNTING via extension cable

2



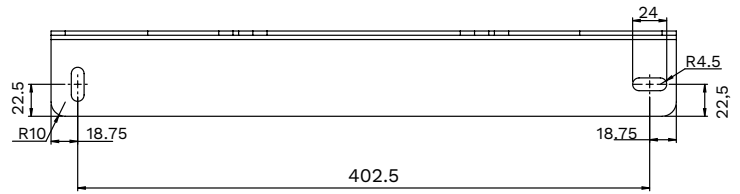
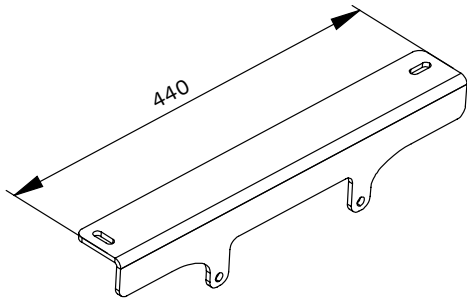
5P CONNECTOR	
CONNECTOR PIN#	
1	Circuit 1
2	
3	Circuit 2
4	
5	Earth



**C**

**FIXED BRACKETS** Ansi3G

**1**



\*Fixed brackets are 3G vibration compliant and available for all luminaire sizes.  
 \*\*Fixation available with 2mm or 3mm thickness bracket.

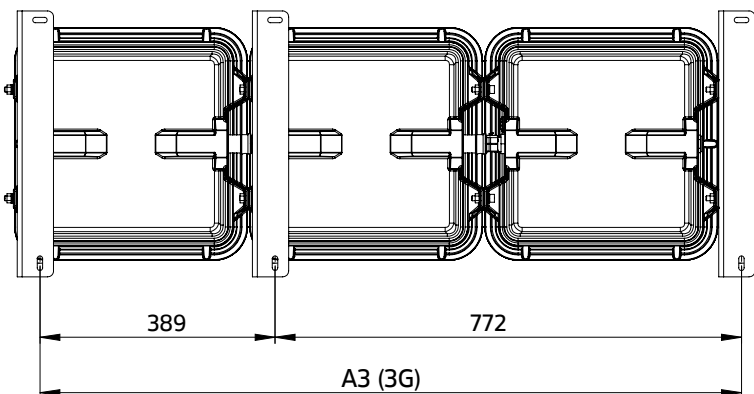
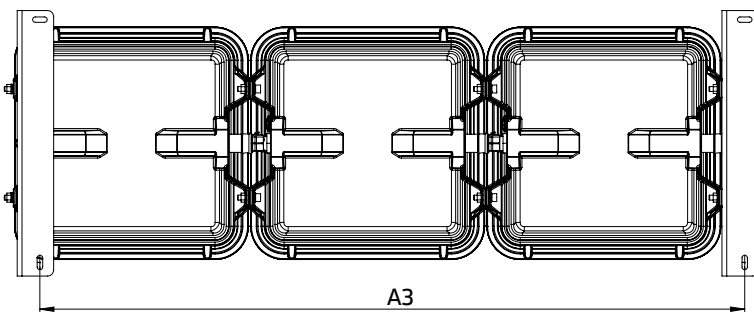
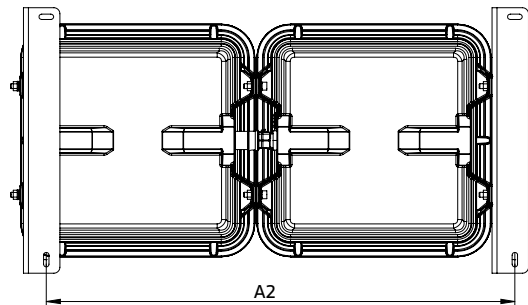
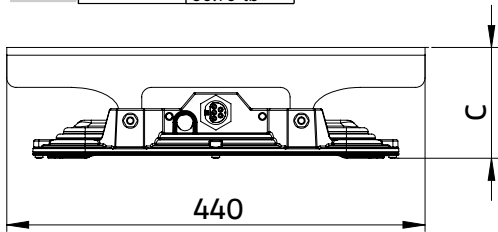
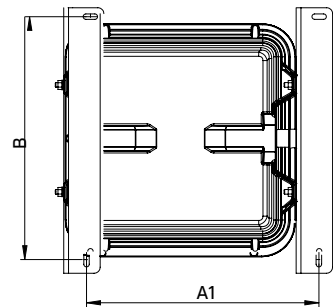
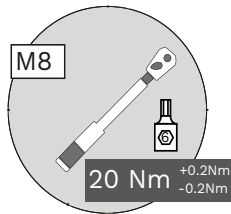
**2**

A1	383 mm 15 in
A2	772 mm 30 in
A3	1161 mm 46 in
A3 (ANSI 3G)	1161 mm 46 in

B	402.5 mm 15.8 in
---	---------------------

C	117 mm 4.56 in
---	-------------------

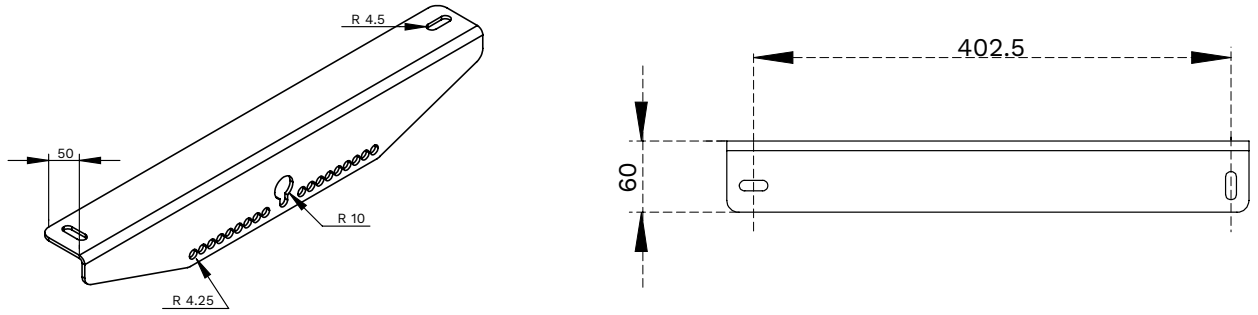
kg/lb	10B	8 kg 17.6 lb
	20B	15 kg 33.06 lb
	30B	23 kg 50.70 lb



# D

## SUSPENDED SWIVELING FIXATION, PULL OUT

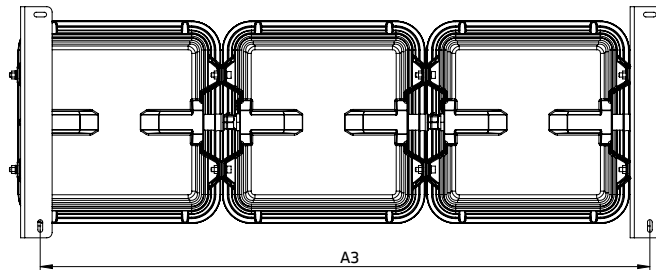
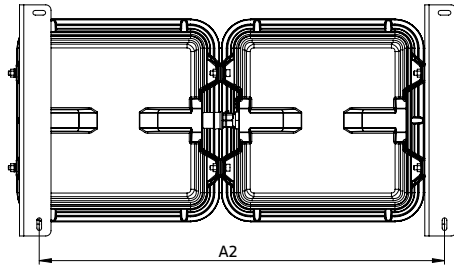
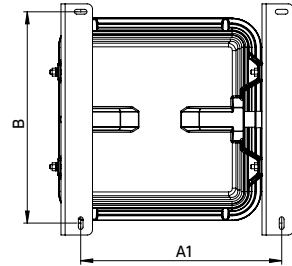
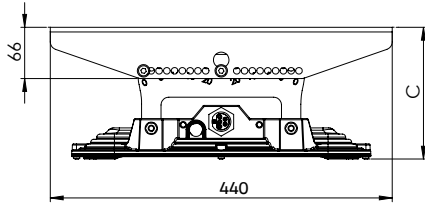
1



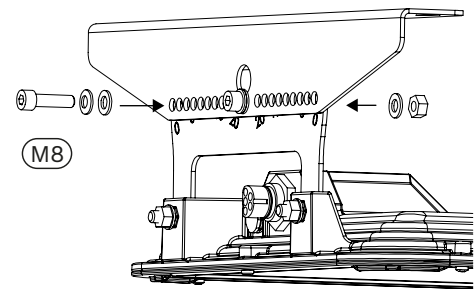
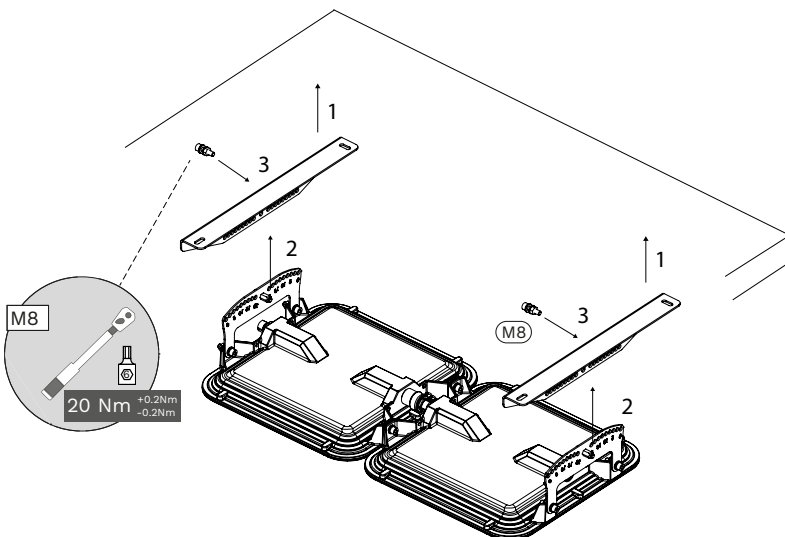
2

A1	383 mm 15 in	B	402.5 mm 15.8 in
A2	772 mm 30 in	C	170 mm 6.6 in
A3	1161 mm 46 in		

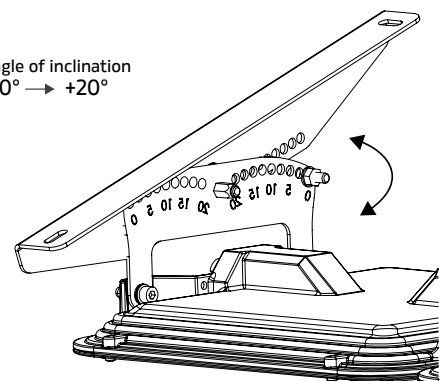
kg/lb	10B	8 kg 17.6 lb
	20B	15 kg 33.06 lb
	30B	23 kg 50.70 lb



3

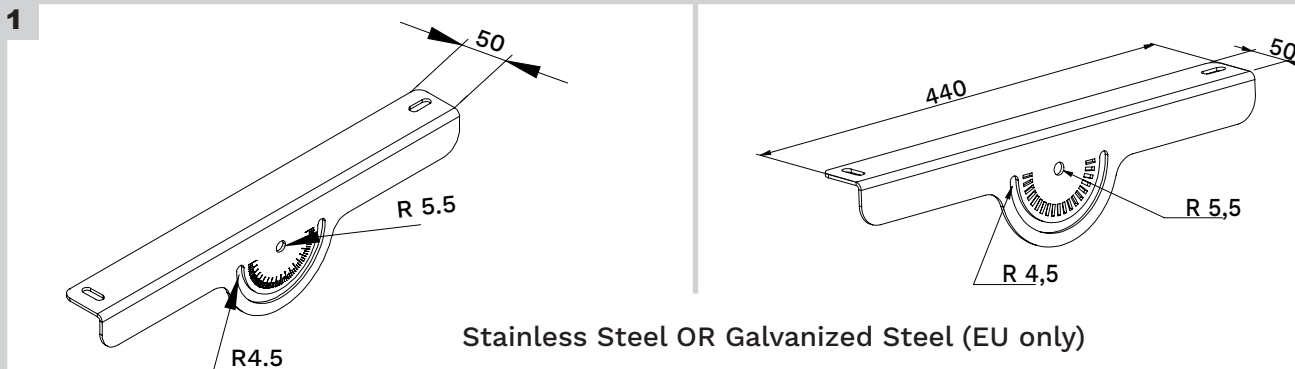


\*Angle of inclination  
-20° → +20°



**E**

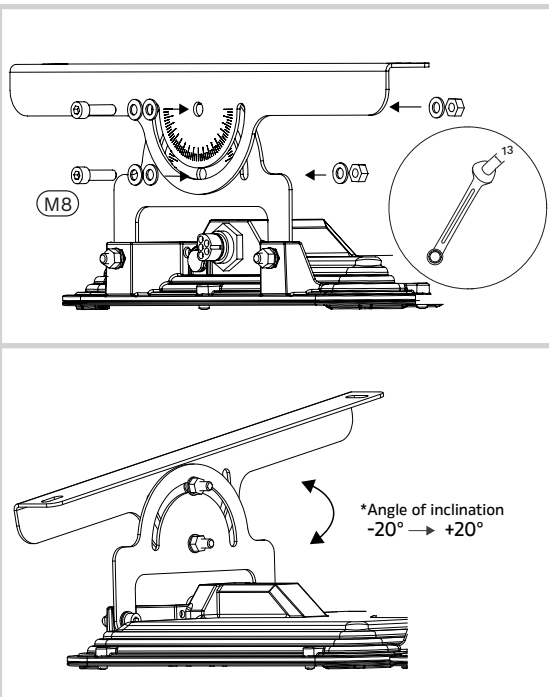
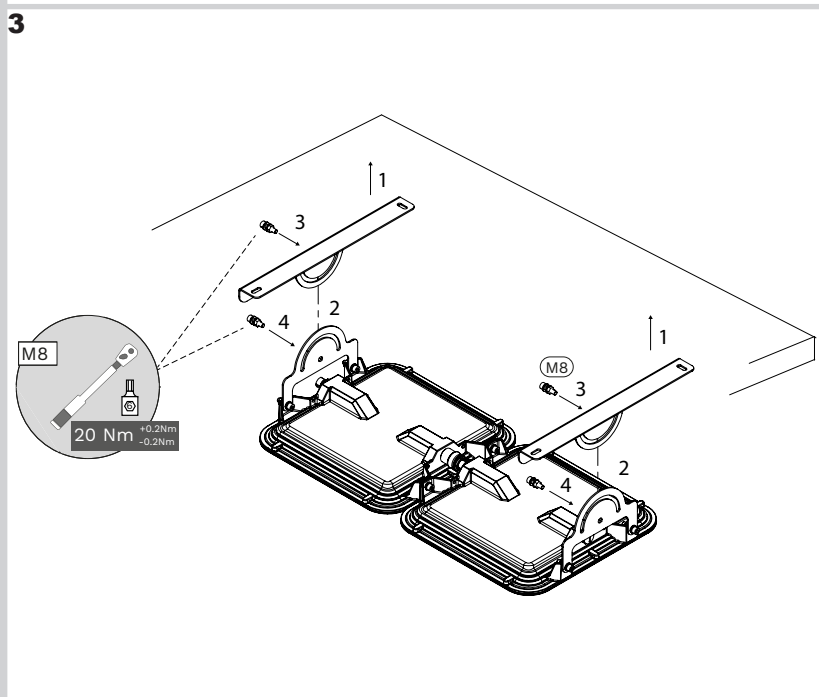
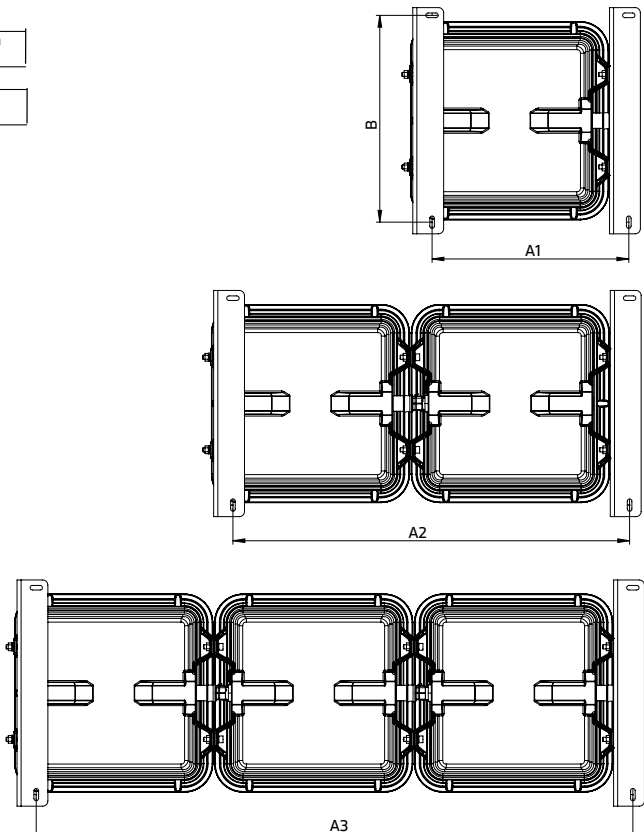
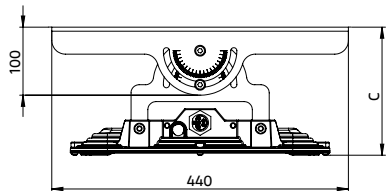
**SUSPENDED SWIVELING FIXATION, ADJUSTABLE**



**2**

A1	383 mm 15 in	B	402.5 mm 15.8 in
A2	772 mm 30 in	C	190 mm 6.6 in
A3	1161 mm 46 in		

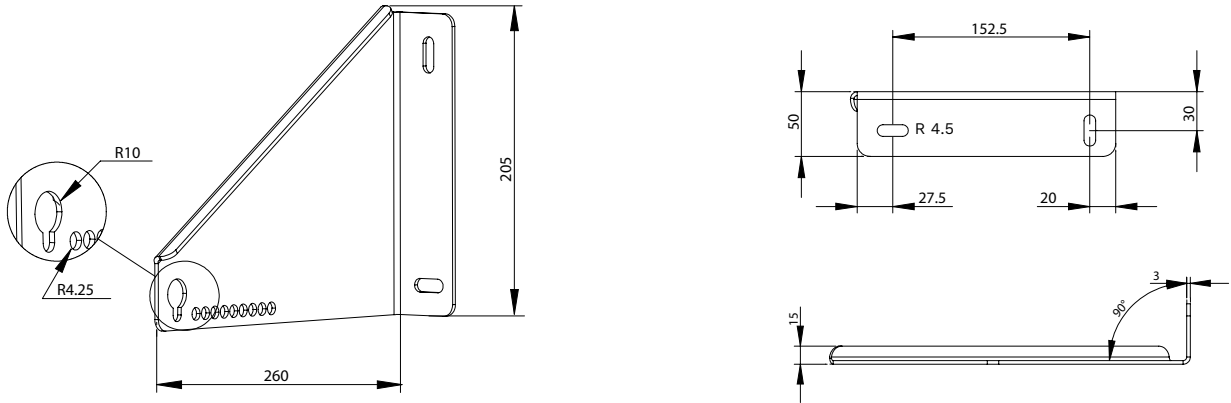
kg/lb	10B	8 kg 17.6 lb
	20B	15 kg 33.06 lb
	30B	23 kg 50.70 lb



**F**

**WALL SWIVELING FIXATION, PULL OUT**

**1**

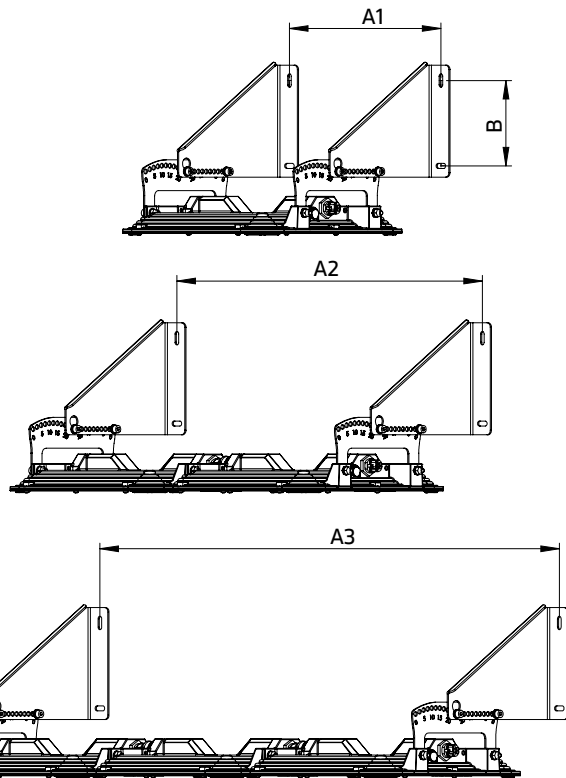
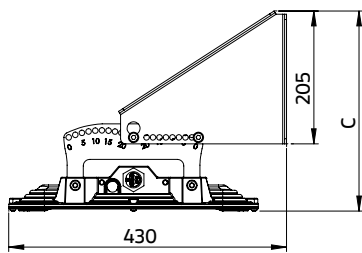


**2**

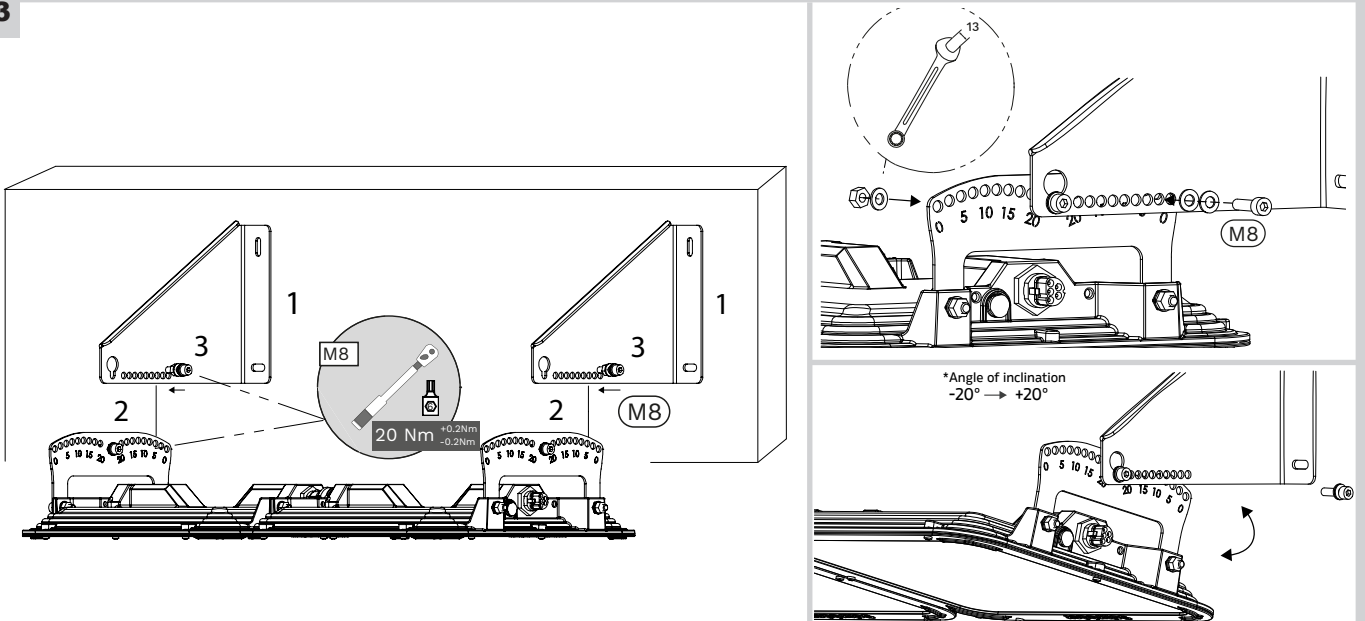
A1	383 mm 15 in	B	152.5 mm 5.9 in
A2	772 mm 30 in	C	310 mm 12.2 in
A3	1161 mm 46 in		

kg/lb	10B	8 kg 17.6 lb
	20B	15 kg 33.06 lb
	30B	23 kg 50.70 lb



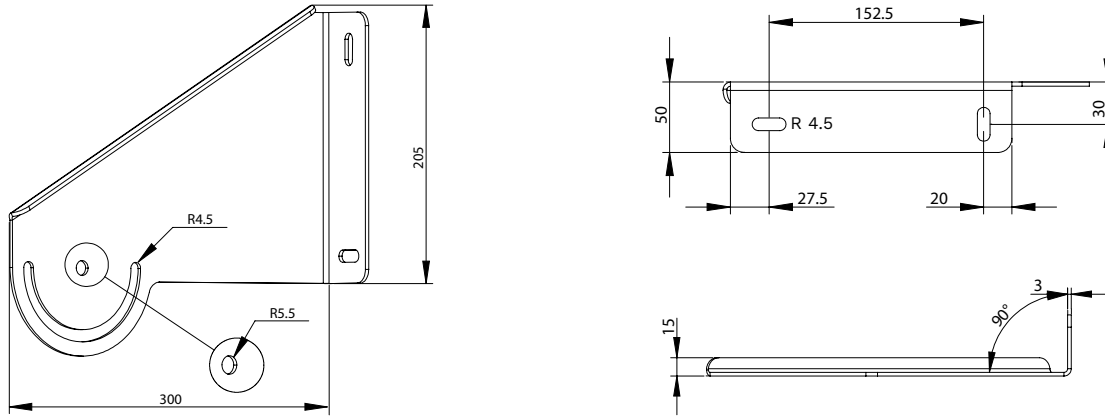
**3**



**G**

**WALL SWIVELING FIXATION, ADJUSTABLE**

**1**

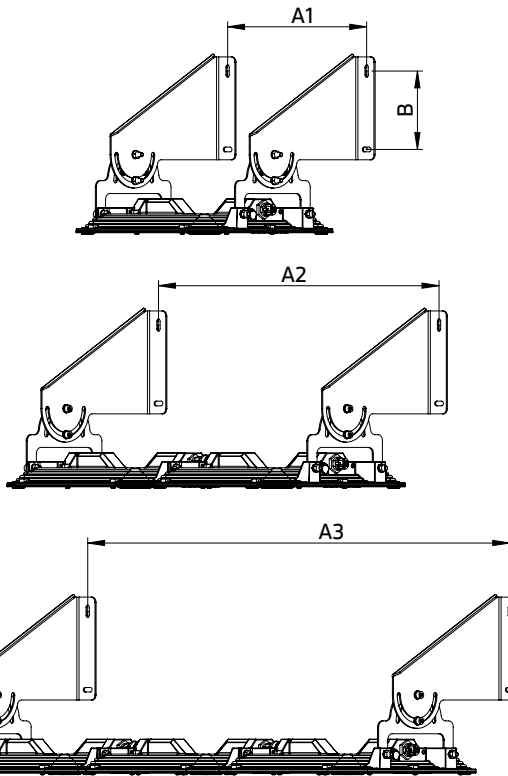
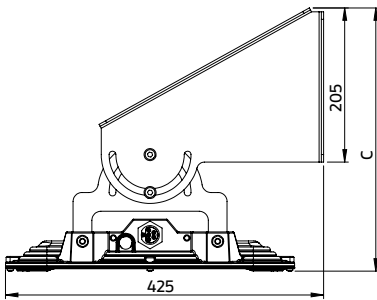


**2**

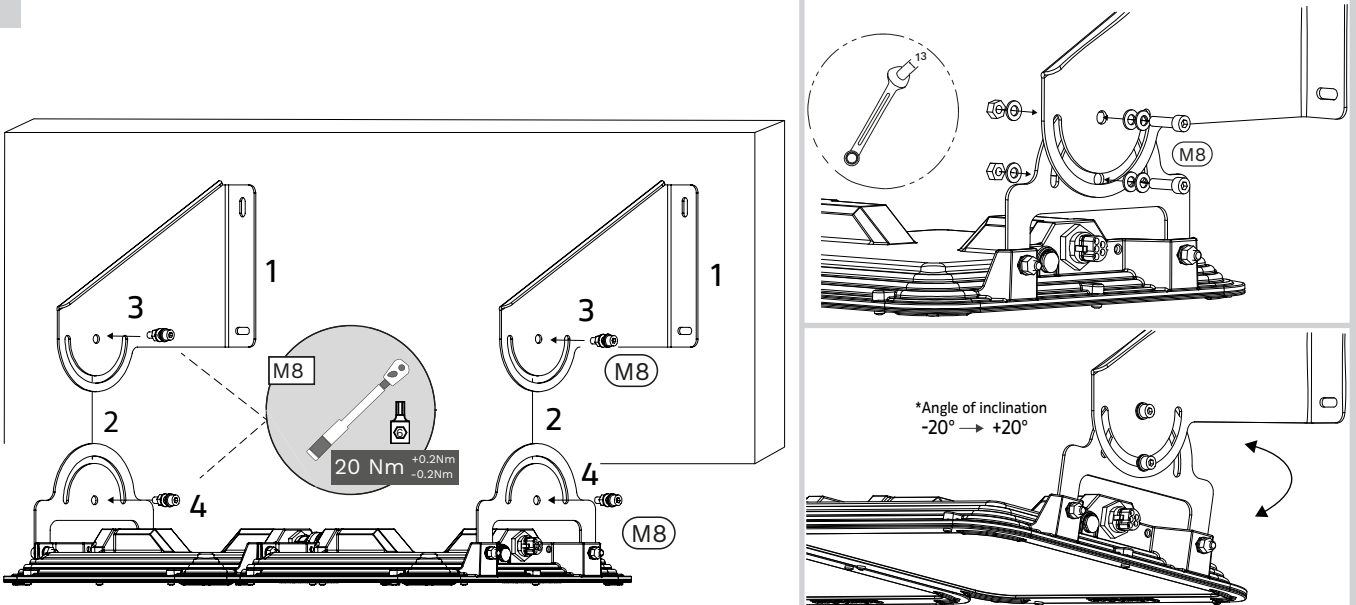
A1	383 mm 15 in	B	152.5 mm 5.9 in
A2	772 mm 30 in	C	350 mm 13.7 in
A3	1161 mm 46 in		

kg/lb	10B	8 kg 17.6 lb
	20B	15 kg 33.06 lb
	30B	23 kg 50.70 lb



**3**

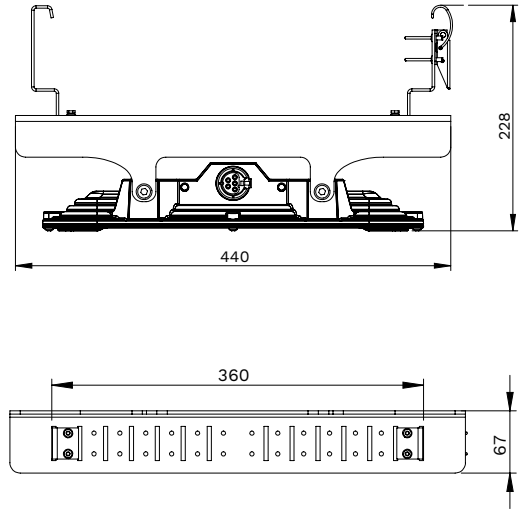
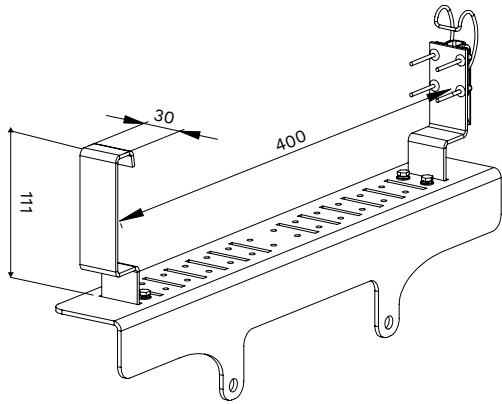




# H

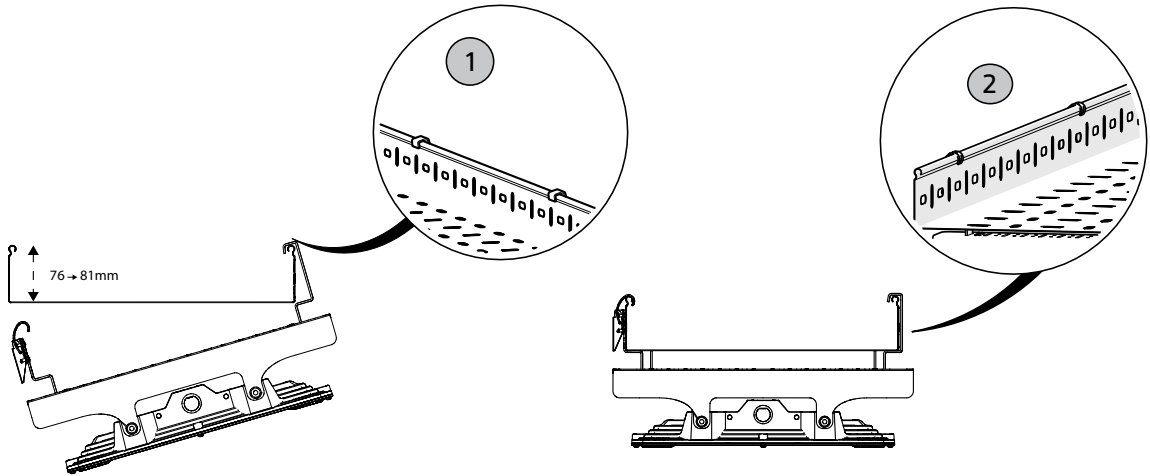
## HOOK FIXATION

1



Adjust hooks following cable tray size  
W100 - 400mm for standart version

2



3

